

PRODUCT CATALOG



 **Stone Age**
Manufacturing®

 **SEMCO**TM
STONE

INDOOR & OUTDOOR HEARTH • OUTDOOR KITCHEN & ROOM • HEARTH ACCESSORIES

CONTENTS	PAGES
About Stone Age Manufacturing	2
Outdoor and Indoor/Outdoor Fireplaces & Accessories	3 – 4
Stone Age Fireplaces – Contractor Series Fireplaces	5 – 6
Stone Age Fireplaces – Standard Model Fireplaces	7 – 8
Stone Age Fireplaces – Standard See-Thru Models	9
Fireplace Opening Height Extensions, Portable Fireplace & Oven Footings	10
Fireplace Wood Storage Boxes & Angled Storage Adapter Kits	11
Chimney Dampers, Ash Cleanouts & Air Kits, Fireplace Grates & Accessories	12
Brick Oven & Vecchio™ Pizza Ovens	13
Amerigo™ & Mezzo™ Pizza Ovens	14
Amerigo™ Inner Liner, Access Tunnel & Base plate Extensions Kits & Pizza Oven Cabinets	32
Brick Oven, Pizza Oven & Cabinet Door	16
Chimney Caps	17
Fire Pits	18 – 19
Fire Pit Grates & Covers	20
Stone Age Multi-Purpose Ready-Mix	21
Firebrick & Adhesives	21
Stone Age Refractory Panel Kits	21
Cabinet Component System™	22 – 29
Cabinet Component System™ Construction Overview	22
STR Series & L Series Island Kits	23
F Series & FF Series Island Kits	24
U Series	25
Radiused Series Island Kits Overview	25
Radiused Series Island Kits	26
Radiused Island Sections	27
Radiused End Caps / Backsplash & Bar Top Backsplash Kits	28
Ceramic Cooker Island / Specialty & Island Detail Kits	29
Big Pig™ & Little Pig™ Cabinet Smokers	30
Finishing, Ready-Mix & Fireplace Pad Specifications for Stone Age Products	31 – 32
Fireplace Dimensions	33
Warranty	34

Scan Here to Download this Catalog to your Smartphone →



Who We Are

Stone Age Manufacturing, Inc. is a family-owned and operated business, whose background is in masonry and fireplace construction. Our original product, the Stone Age fireplace, arose from needs in the marketplace identified through our own experiences in the field with our affiliated business, Rider Stone Company, a natural stone supply and masonry installation company specializing in custom designs and projects, which has been operated by our family for three generations. Stone Age products have been well received throughout the construction and hardscape industries and we have enjoyed significant growth each year since our incorporation.

Recognition of the challenges typically faced in real-world installations continues to drive our product development, as all Stone Age products are designed to offer a faster, more efficient and more durable way to construct popular hearth and outdoor room products, while delivering greater consistency and higher quality than comparable products or traditional construction techniques.

Stone Age Manufacturing takes pride in our heritage as a family-owned business, and is committed to using our extensive knowledge and masonry expertise to produce the finest quality products available, while delivering exceptional value at a reasonable cost, and providing outstanding personal service to each of our customers.

Stone Age Manufacturing is located in the Tulsa, Oklahoma metropolitan area, and is proud to manufacture our products in the United States of America, using materials produced in the U.S.A.

What We Do

Stone Age Manufacturing, Inc. produces pre-engineered masonry fireplace kits for indoor and outdoor applications, as well as fire pits, brick and pizza ovens, and kitchen island systems, all in kit forms designed for ease of assembly by experienced masons or novice installers, while providing strength, durability and outstanding performance in all climates and conditions.

Each Stone Age product is designed for compatibility with our other components, allowing endless flexibility in project design and easy customization to meet the unique requirements of any installation, regardless of architectural or design style. Stone Age also offers a full line of accessories, carefully chosen to enhance the performance and enjoyment of our products.

Stone Age Manufacturing, Inc. offers a group of products that increase productivity and profits, prevent quality issues and installation difficulties, and enhance the professional reputation of the contractor or installer. Stone Age products offer the consumer a complete outdoor lifestyle system uniquely adaptable to their specific needs, designed to deliver outstanding performance and years of relaxation and enjoyment.

Mission Statement

Stone Age Manufacturing, Inc. strives to create products which offer a faster, more efficient and more durable way to construct popular hearth and outdoor room products, while delivering greater consistency, higher quality, and greater value than competing products or traditional construction techniques. Stone Age also strives to provide outstanding customer service, treating our customers as we would want to be treated ourselves.

Operational Goals

- To be the leader in development and production of masonry indoor and outdoor living products.
- To design products that assemble quickly and easily, offering labor savings and increased profit margins to the installer and cost savings to the consumer.
- To design products which perform well under a broad spectrum of operating conditions and unique installation configurations.
- To produce the highest quality products available at a competitive price, without sacrificing product integrity.
- To build and maintain product inventory levels that allow quick and convenient delivery on all orders.
- To constantly improve the quality and production processes of our existing product line.
- To produce a variety of products and options that offer the greatest value possible to a wide range of potential customers.
- To continually build a brand name that customers recognize, associate with quality, and seek out.
- To deliver outstanding customer service to all customers at all times.
- To earn the reputation of a company that all of our customers would prefer to do business with, and would refer to their friends and associates.
- To offer a wealth of marketing and educational materials to our dealers, distributors, and contractors, to increase knowledge and understanding of the quality and value of Stone Age products, assisting in the sale of our products and the sale of projects using our products.

The Stone Age fireplace was born of a desire to simplify fireplace construction for masons and consumers, while delivering consistently outstanding quality and performance in outdoor applications.

Superior design and materials are the hallmark of Stone Age products, and this dedication to quality begins with our fireplace kits.

All of our fireplace kits are made from Stone Age's proprietary high-temperature tolerant, high-strength concrete mix (over 3500 psi), with solid wall construction and steel reinforcement, which results in a much stronger and more durable fireplace than lighter weight products that may look similar at a glance. With Stone Age, you've got a product you can be confident in for years to come.

Our elegantly simple designs draft well in outdoor conditions, with minimal smoke spillage into the viewing area of the fireplace, allowing consumers to enjoy their fireplaces at times when owners of lesser fireplaces might be forced indoors.

Our Veranda™ and Patio Series™ models further simplify construction for the do-it-yourselfer without compromising quality or performance.

Outdoor Fireplace Models



Indoor & Outdoor Fireplace Models



Packaging and Shipping Information

Stone Age Standard, Contractor Series, Patio, Veranda and New Age™ 39" - 51" Fireplaces, Fire Pits ship on a single pallet per unit.

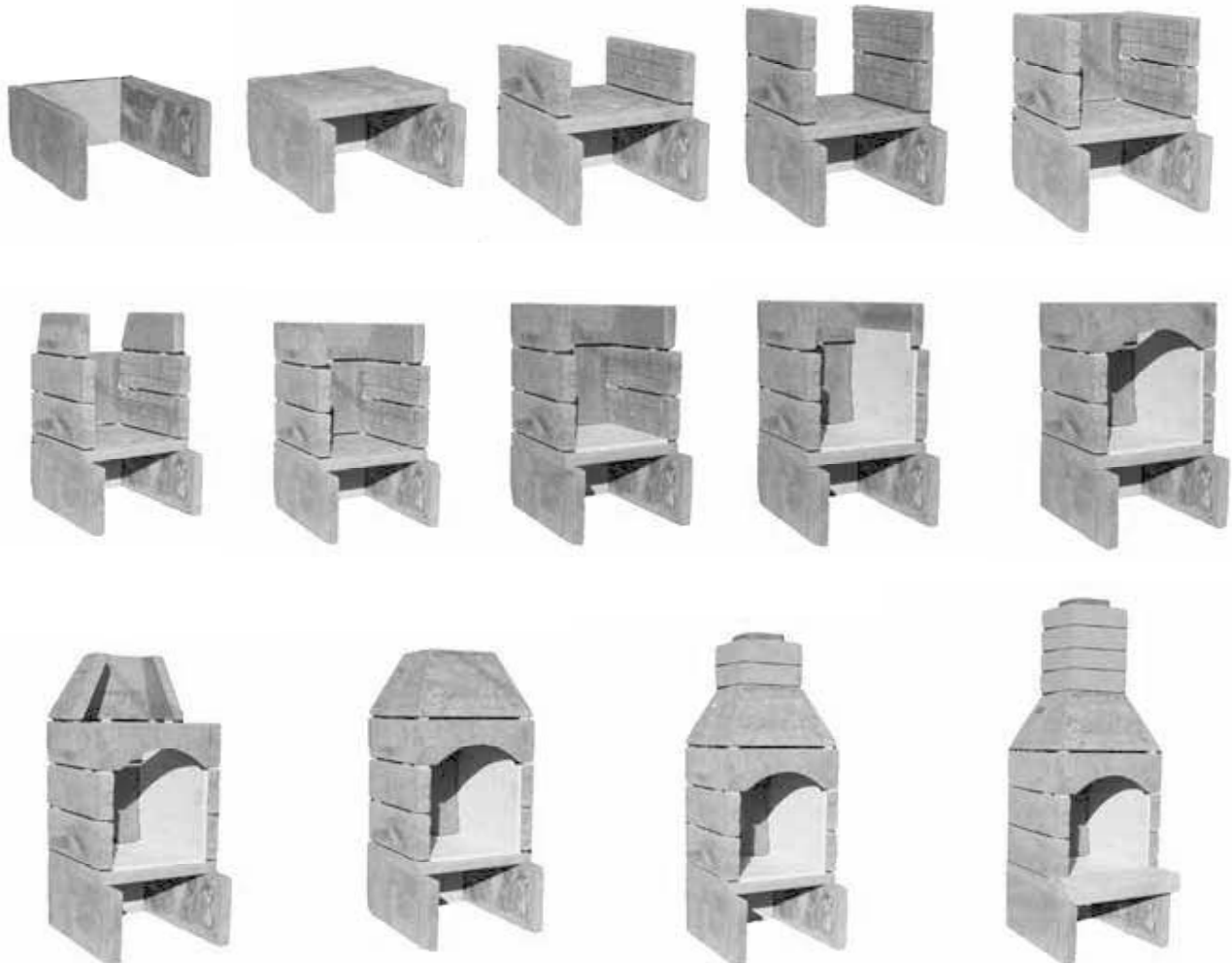
New Age™ 63" and 75" kits ship on 2 or more pallets, depending upon size.

Smaller accessories generally will be shipped in corrugated paper boxes, depending upon the item.



Fireplace Construction Overview

Installation of the Stone Age fireplace is very simple. Project and site preparation should include pouring a reinforced concrete footing for the unit, per the instructions included with the fireplace kit. Depth of the pad and specific reinforcement requirements, such as piling, should be determined based on size of the unit, type of finish material to be applied, local soil stability, climate and building codes.



Once the kit is assembled, finish application may begin. Any masonry-compatible finish, such as stucco, tile, brick, man-made stone, pavers or natural stone, may be used with all Stone Age products, and may be applied directly to the outside of the units. Customization is very simple, as standard concrete block may be directly applied around any unit to create a different shape or profile, before application of the finish material.

Stone Age Contractor Series Fireplaces

The Contractor Series offers Stone Age design and materials with an emphasis on value. The Standard kit is distilled down to its essential components of fireplace and chimney, and additional items are left optional, to give you a fireplace comparable to competing models with Stone Age quality and innovation.

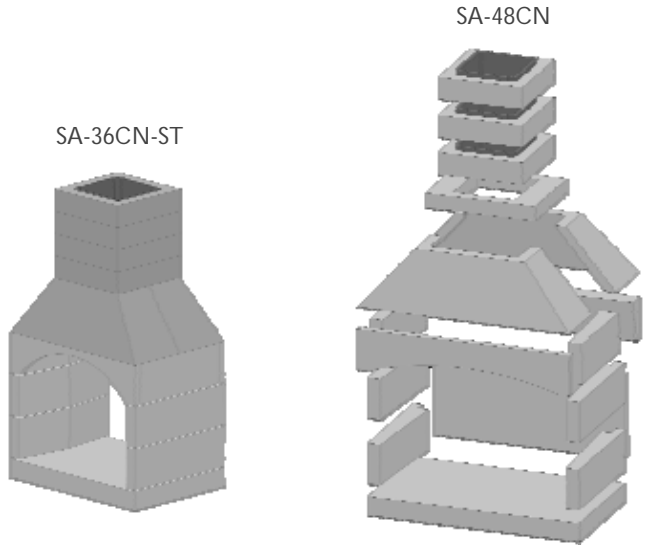
The Contractor Series is the perfect choice for applications where a customized profile is desired, or for projects where the lower wood storage area of the Standard fireplace is not needed.

UL-127/ULC-S610 Certified for indoor or outdoor applications.

Available with 24", 36" or 48" firebox opening width, single-sided or See-Thru. Firebox opening height is 28" arched lintel or 22" straight.



Item No	Model	Weight
SA-24CN	24" with Arched Lintel	1540
SA-24CN-STR	24" with Straight Lintel	1540
SA-24CN-ST	24" See-Thru, Arched Lintel	1540
SA-24CN-ST-STR	24" See-Thru, Straight Lintel	1540
SA-36CN	36" with Arched Lintel	1760
SA-36CN-STR	36" with Straight Lintel	1760
SA-36CN-ST	36" See-Thru, Arched Lintel	1760
SA-36CN-ST-STR	36" See-Thru, Straight Lintel	1760
SA-48CN	48" with Arched Lintel	2120
SA-48CN-STR	48" with Straight Lintel	2120
SA-48CN-ST	48" See-Thru, Arched Lintel	2120
SA-48CN-ST-STR	48" See-Thru, Straight Lintel	2120



Refer to Section 5 of Price List

Accessory Items to Complete Installation of Contractor Series Fireplaces

Item No	Model	Weight
Chimney Sections		
SAFL1313-6	6"t Small width for 24" Contractor Series kits	100
SAFL1717-6	6"t Large for 36" - 48" Contractor Series kits	100
Firebrick		
SA-S1001	Firebrick - Splits, 9" x 4 1/2" x 1 1/4"	4
SA-S1001R	Firebrick - Splits, Red, 9" x 4 1/2" x 1 1/4"	4
High-Temperature Mortar		
SA-APRM	Multi-Purpose Ready-Mix Mortar, 5 Gallons	60

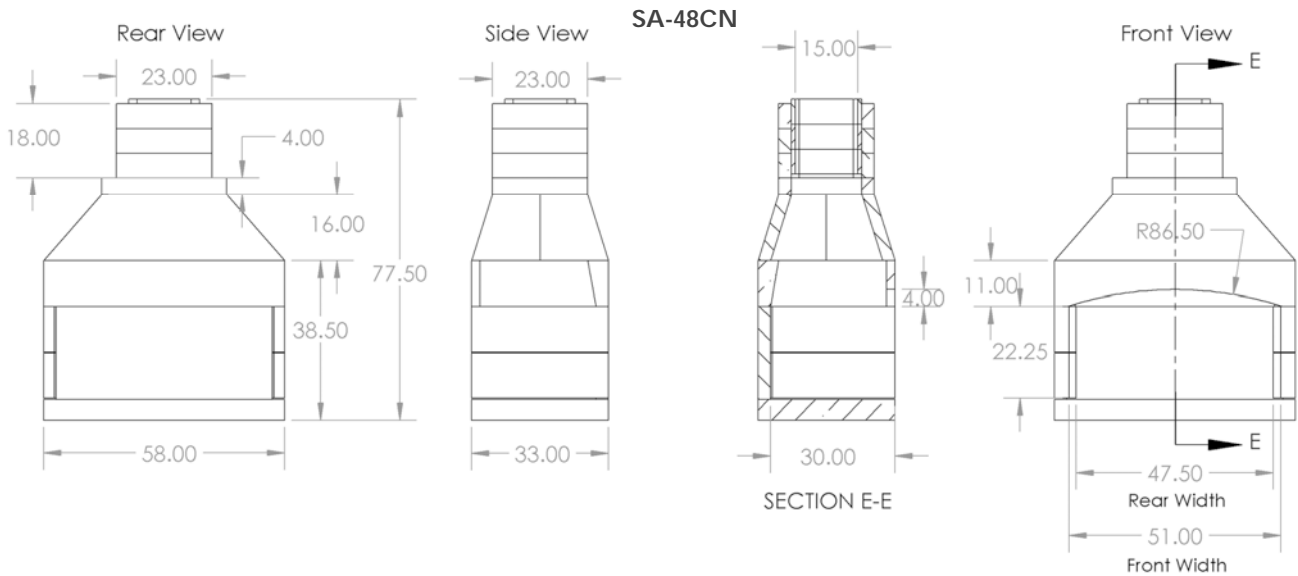
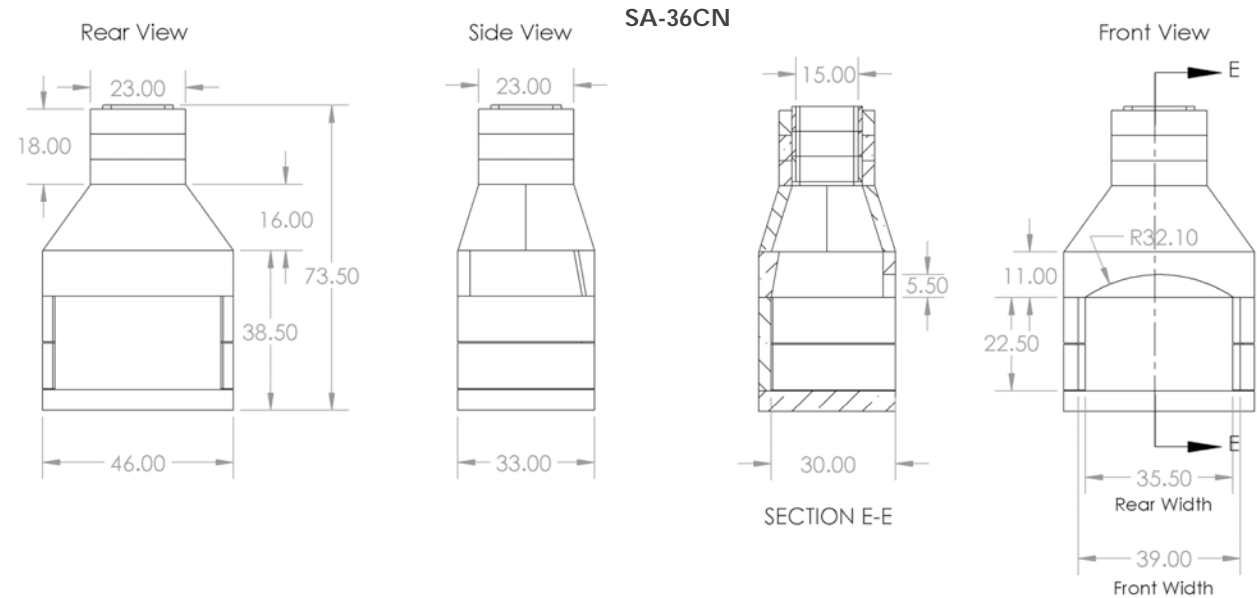
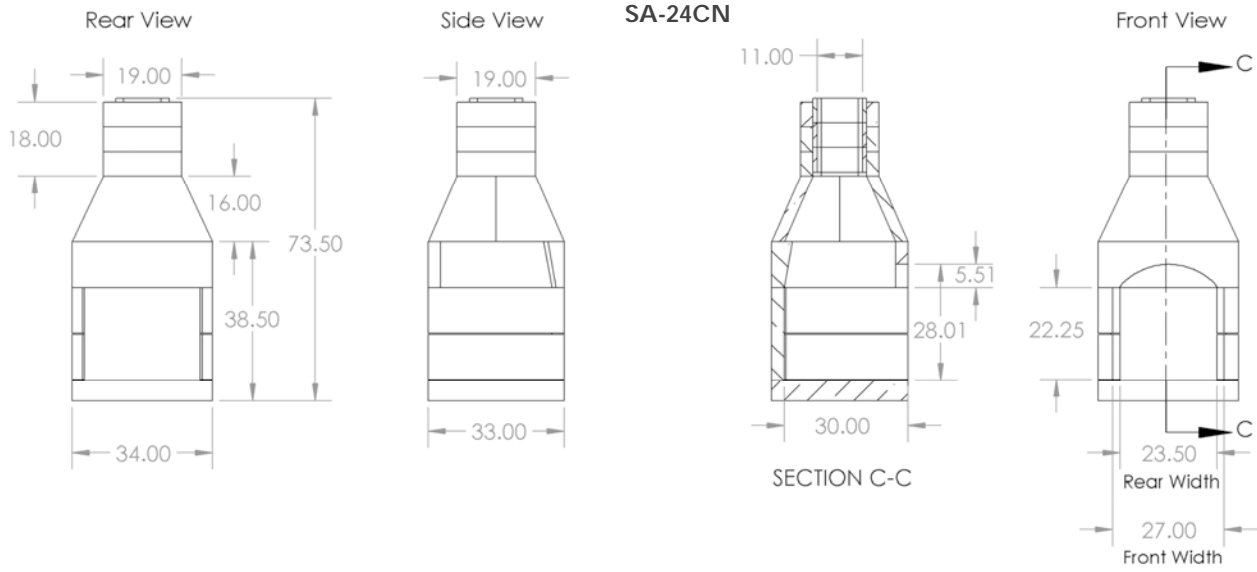


SA-APRM



Refer to Sections 8 and 19 of Price List

Recommended Accessories: Chimney cap, log grate.



Stone Age Standard Model Fireplaces

Stone Age fireplaces are complete kits, with everything needed to construct the fireplace included with the unit, except mortar and finishing materials.

Chimney sections, firebrick, hearth and support legs (or a one-piece base/hearth with Stoned Fire kits) are all part of the package, to simplify your preparation and installation. Arched lintels are standard, with straight lintels as a no charge option.

UL-127/ULC-S610 Certified for indoor or outdoor applications.

Available with 24", 36" or 48" firebox opening width. Firebox opening height is 28" arched lintel or 22" straight. Also available with Stoned Fire one-piece base.

Item No	Model	Weight
SA24	24" with Arched Lintel	2200
SA24-STR	24" with Straight Lintel	2200
SA-24SF-UA	24" Stoned Fire, Unassembled	2050
SA36	36" with Arched Lintel	2800
SA36-STR	36" with Straight Lintel	2800
SA-36SF-UA	36" Stoned Fire, Unassembled	2500
SA48	48" with Arched Lintel	3100
SA48-STR	48" with Straight Lintel	3100

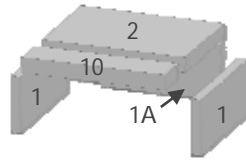


Refer to Section 6 of Price List

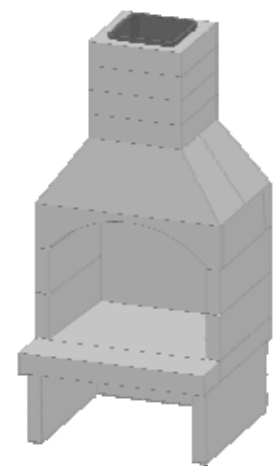
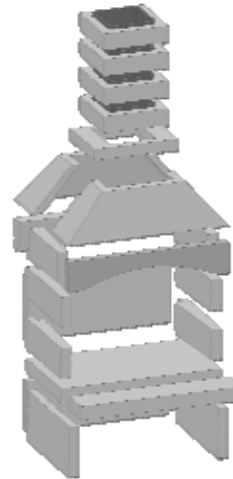


Stoned Fire Base

(Replaces #1, 1A, 2, & 10 on SF Models)



Standard Base Components



SA36

Accessory Items to Complete Installation of Standard Model Fireplaces

Item No	Model	Weight
Chimney Sections		
SAFL1313-6	6"t Small width for 24" Standard Model kits	100
SAFL1717-6	6"t Large for 36" - 48" Standard Model kits	100
High-Temperature Mortar		
SA-APRM	Multi-Purpose Ready-Mix Mortar, 5 Gallons	60

SAFL1717-6

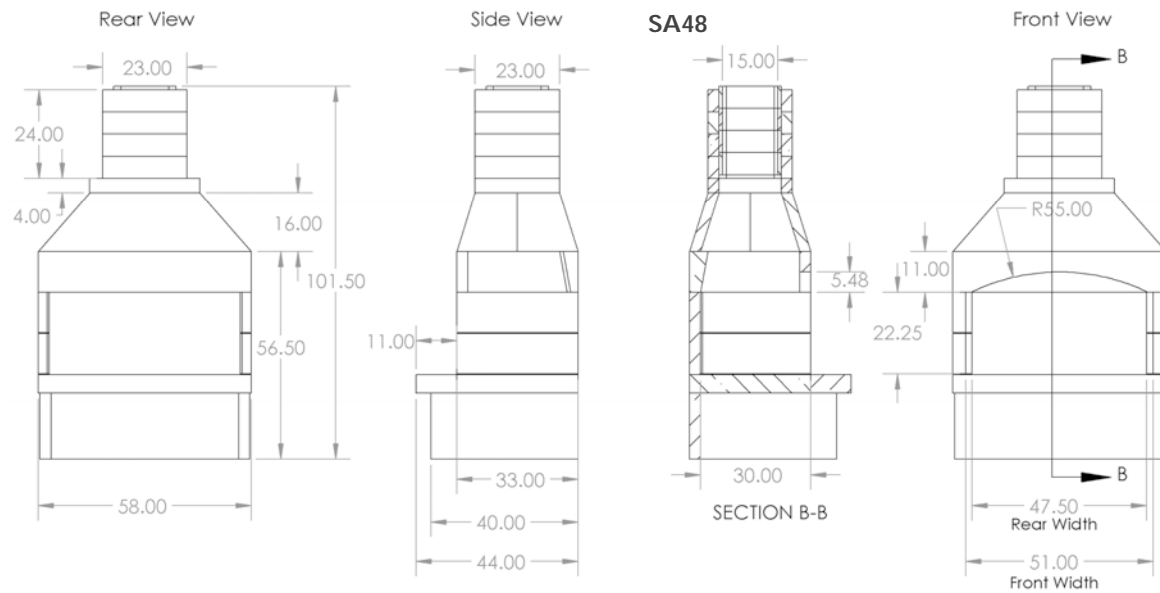
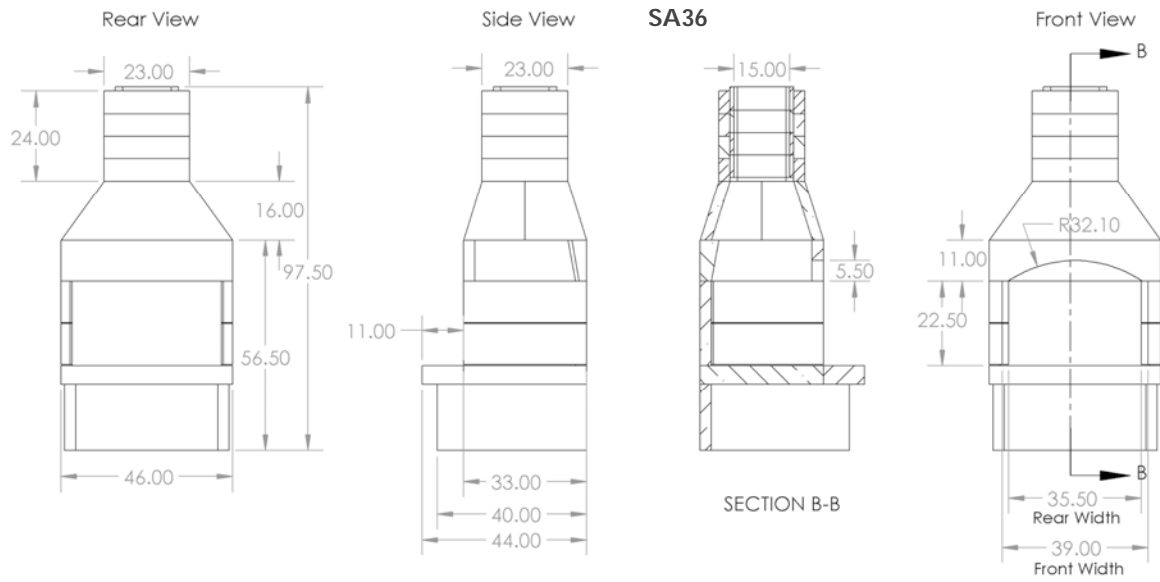
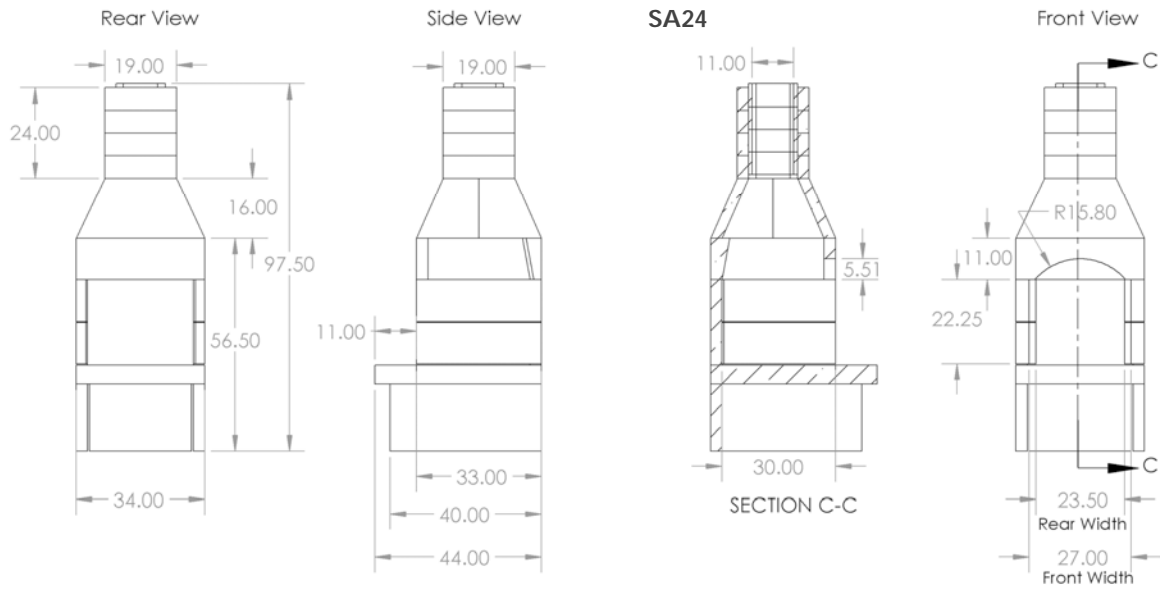


SA-APRM



Refer to Sections 8 and 19 of Price List

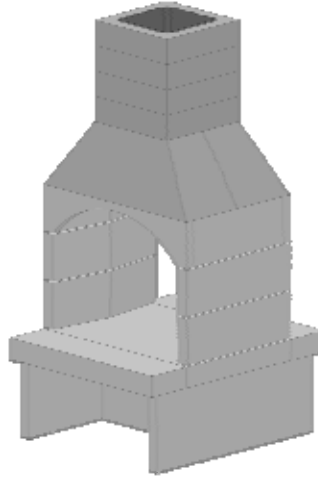
Recommended Accessories: Refractory panels, chimney cap, log grate.



Stone Age Fireplaces—Standard See-Thru Models

See-Thru Models are available in each of our standard kit sizes, with firebox openings identical to the single-sided units. See-Thru fireplaces include all the features of the standard models, and are also available with arched (standard) or straight lintels. UL-127/ULC-S610 Certified for indoor or outdoor applications.

Item No	Model	Weight
SA24-ST	24" with Arched Lintel	2200
SA24-STSTR	24" with Straight Lintel	2200
SA36-ST	36" with Arched Lintel	2800
SA36-STSTR	36" with Straight Lintel	2800
SA48-ST	48" with Arched Lintel	3100
SA48-STSTR	48" with Straight Lintel	3100



Refer to Section 6 of Price List

Accessory Items to Complete Installation of Standard Model Fireplaces

Item No	Model	Weight
Chimney Sections		
SAFL1313-6	6"t Small width for 24" Standard Model kits	100
SAFL1717-6	6"t Large for 36" - 48" Standard Model kits	100
High-Temperature Mortar		
SA-APRM	Multi-Purpose Ready-Mix Mortar, 5 Gallons	60

SAFL1717-6

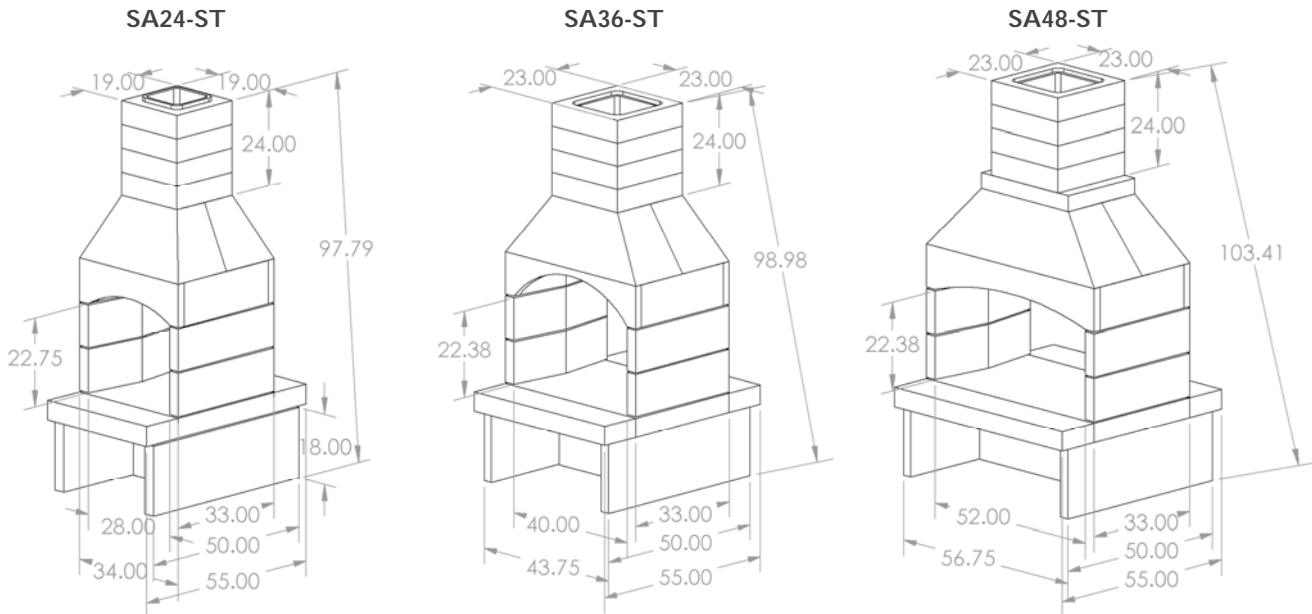


SA-APRM



Refer to Sections 8 and 19 of Price List

Recommended Accessories: Refractory panels, chimney cap, log grate.



Fireplace Opening Height Extensions

Stone Age Extension kits create a taller fireplace opening, for a larger viewing area.

Available for 36" and 48" Stone Age models, in Standard or See-Thru, and for all New Age™ Fireplace models.

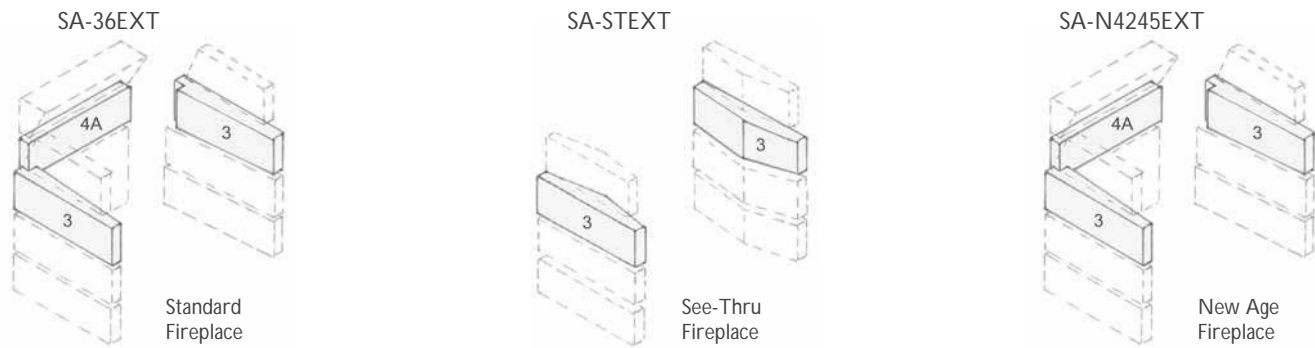
Each Extension kit adds 11 1/2" to the Standard and See-Thru models and 14" to the New Age™ models. Kits do not include firebrick.

SA-36 & SA-36EXT



Item No	Model	Weight
SA-36EXT	36" Standard Fireplace	175
SA-48EXT	48" Standard Fireplace	200
SA-STEXT	See-Thru Fireplace - All Sizes	100
SA-N3639EXT	36" & 39" New-Age™ Fireplaces	300
SA-N4245EXT	42" & 45" New-Age™ Fireplaces	350
SA-N4851EXT	48" & 51" New-Age™ Fireplaces	400
SA-N6063EXT	60" & 63" New-Age™ Fireplace	450
SA-N7275EXT	72" & 75" New-Age™ Fireplace	500

Refer to Section 9 of Price List



Portable Fireplace & Oven Footings



Stone Age Portable Footings are designed for use with tradeshow installations, demos, or other applications where movement of the fireplace or oven is required after assembly. Steel reinforced, with forklift rails molded into unit.

Item No	Model	Weight
SA24PF	Standard 24" Fireplace Footing	320
SA24PF-ST	See-Thru 24" Fireplace Footing	420
SA36PF	Standard 36" Fireplace Footing	540
SA36PF-ST	See-Thru 36" Fireplace Footing	640
SA48PF	Standard 48" Fireplace Footing	640
SA48PF-ST	See-Thru 48" Fireplace Footing	750
SA39PF	New Age™ 39" Fireplace Footing	540
SA45PF	New Age™ 45" Fireplace Footing	600
SA51PF	New Age™ 51" Fireplace Footing	640
SA-MPO-36PF	Mezzo™ Pizza Oven Footing	320
SA-APO-48PF	Amerigo™ Pizza Oven Footing	580



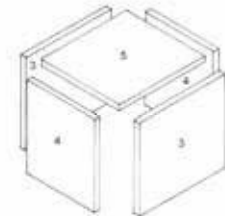
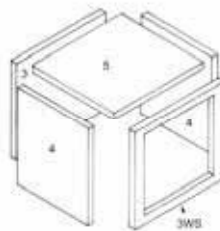
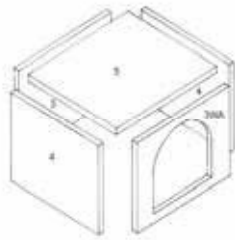
Refer to Section 10 of Price List

Fireplace Wood Storage Boxes

Stone Age Wood Storage Boxes are an alternative to conventional wood storage arrangements, and create the foundation for a wide range of custom fireplace profiles. Available for Standard, Contractor Series, and New Age™ models, with arched and square openings, or with no opening for custom arches or other modification. 36" wide, 36" tall, 33" deep for Standard Fireplaces, NA models are 30" deep for New Age™ fireplaces.

Item No	Model	Weight
SA-WCA	Standard Fireplace, Arched Opening	585
SA-WCS	Standard Fireplace, Square Opening	585
SA-WCN	Standard Fireplace, No Opening	650
SA-WCA-NA	New Age™ Fireplace, Arched Opening	585
SA-WCS-NA	New Age™ Fireplace, Square Opening	585
SA-WCN-NA	New Age™ Fireplace, No Opening	650

Refer to Sections 11 & 12 of Price List



Recommended Accessories: Wood cabinet doors, concrete adhesive, Stone Age Multi-Purpose Ready-Mix.

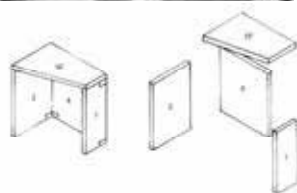


Angled Storage Adapter Kits

Angled Storage Adapter kits facilitate the installation of side-mounted wood storage boxes for angled or corner-mounted fireplaces, creating another unique customization option. Kit top angle is 22.5°, and may be field modified down to 45°.



Item No	Model	Weight
SA-WAA	Angled Storage Adapter Kit- Standard	155
SA-WAA -NA	Angled Storage Adapter Kit-New Age™	155

Refer to Sections 11 & 12 of Price List



Chimney Dampers

Stone Age offers two styles of chimney dampers, top-mount models, for use with Standard Stone Age Fireplaces, Contractor Series fireplaces, Vecchio™ pizza ovens or brick ovens, which use a stainless steel cable actuator inside the chimney flue, or throat-mount models with internal lever control, for use with the New Age™ indoor fireplace only.

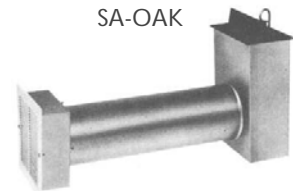
Item No	Model	Weight	
SA-CF12113	Top-Mount Damper, 13" x 13", 24" Fireplaces, Vecchio™ & Brick Ovens	7	SA-CF12113
SA-CF12117	Top-Mount Damper, 17" x 17", 36" & 48" Fireplaces	15	
SA-CF12118	Top-Mount Damper, 13" x 17", all New Age™ Fireplace Models	10	
SA-V936	Throat-Mount Damper, Cast Iron, 36" New Age™ Indoor Fireplaces	60	
SA-V942	Throat-Mount Damper, Cast Iron, 42" New Age™ Indoor Fireplaces	70	
SA-V948	Throat-Mount Damper, Cast Iron, 48" New Age™ Indoor Fireplaces	80	
SA-V360	Throat-Mount Damper, Cast Iron, 60" New Age™ Indoor Fireplaces	75	
SA-V372	Throat-Mount Damper, Cast Iron, 72" New Age™ Indoor Fireplaces	100	

Refer to Section 15 of Price List

Fireplace Clean Out Accessories and Outside Air Kits

Universal ash dump and clean out doors are available for use with any Stone Age Fireplace or oven model, and simplify ash removal with any wood burning product. Universal Outside air kits are suitable for use with indoor fireplaces and are helpful in newer, energy-efficient homes, where good combustion airflow may not always be available.

Item No	Model	Weight	Opening Dimensions
SA-AD	Fireplace Ash Dump Door - Universal	2	4 1/2" x 9"
SA-COD	Fireplace Clean Out Door - Universal	3	10" x 8"
SA-OAK	Fireplace Outside Air Kit - Universal	16	4 1/2" x 9" interior, 4" x 9" exterior, length adjustable

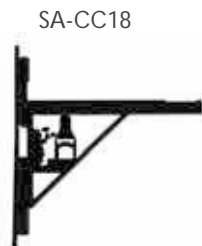


Refer to Section 15 of Price List

Fireplace Grates & Accessories

Log Grates and Cooking Cranes are the perfect accessories for any Stone Age Fireplace, and add beauty and functionality. All items feature heavy, carbon steel construction with black, high-temperature finish.

Item No	Model	Weight
SA-D8818S4	18"w x 12"d Steel Log Grate, 24" Fireplaces	20
SA-D8927-6	27"w x 15"d Steel Log Grate, 36" Fireplaces	30
SA-D8933-8	33"w x 15"d Steel Log Grate, 48" Fireplaces	50
SA-HY15	15 1/4"w x 9"d Steel Log Grate, Veranda™ Fireplaces	12
SA-CC18	18" Cooking Crane for Fireplaces & Brick Ovens	6



Refer to Section 15 of Price List

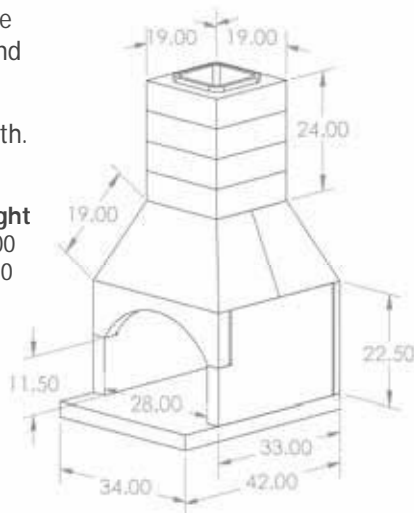
Stone Age Brick Oven

Stone Age Brick Ovens are the perfect complement to our other outdoor kitchen components, and allow the outdoor chef unlimited cooking flexibility while incorporating the taste of real wood. Optional glass doors, top-mount dampers, and cooking grates are available, for more precise temperature control and greater cooking flexibility.

Available with 25" firebox opening width, 26" depth. Firebox opening height is 21", with arched lintel.

Item No	Model	Weight
SA-BO	Stone Age Brick Oven	1600
SAFL1313-6	6"t Chimney Sections	100

Refer to Section 16 of Price List



Recommended Accessories: Glass doors, top-mount damper, Stone Age Multi-Purpose Ready-Mix.

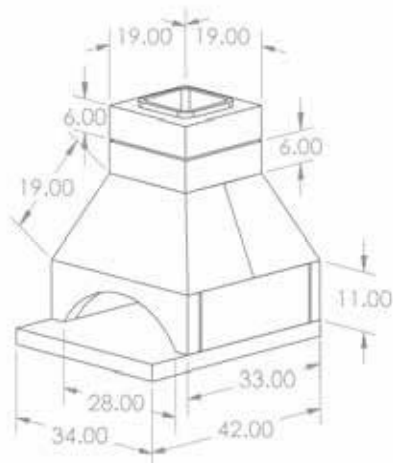
Vecchio™ Pizza Oven

The Vecchio™ Pizza Oven offers the fun and flavor of traditionally-cooked pizza, in a smaller, easy-to-manage footprint that integrates perfectly with our Cabinet Component System™. Add the optional top-mount damper for more precise temperature control and greater cooking flexibility.

Available with 25" firebox opening width, 28" depth. Firebox opening height is 9", with arched lintel.

Item No	Model	Weight
SA-VPO-34	Vecchio™ Pizza Oven	1100
SAFL1313-6	6"t Chimney Sections	100

Refer to Section 16 of Price List



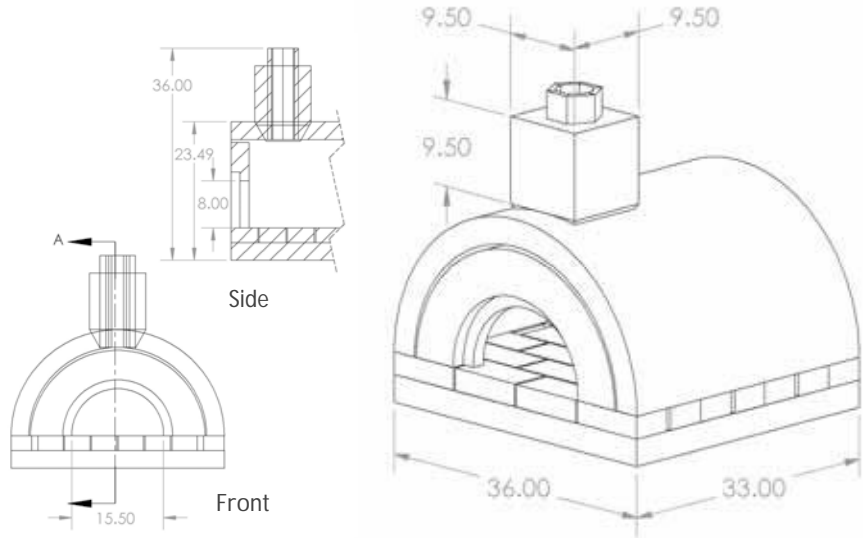
Recommended Accessories: Top-mount damper, Stone Age Multi-Purpose Ready-Mix.

Mezzo™ Pizza Oven

The Mezzo™ Pizza Oven offers the same old world flavor of the Amerigo™ in a smaller package that fits the depth of our Cabinet Component System™ island kits, and features an arched cooking chamber with over 800 square inches of cooking surface. Cooking surface measures 27" deep by 30" wide. Kits include firebrick, 9" chimney flue and metal oven door.

Item No	Model	Weight
SA-MPO-36	Mezzo™ Pizza Oven	1150

Refer to Section 16 of Price List



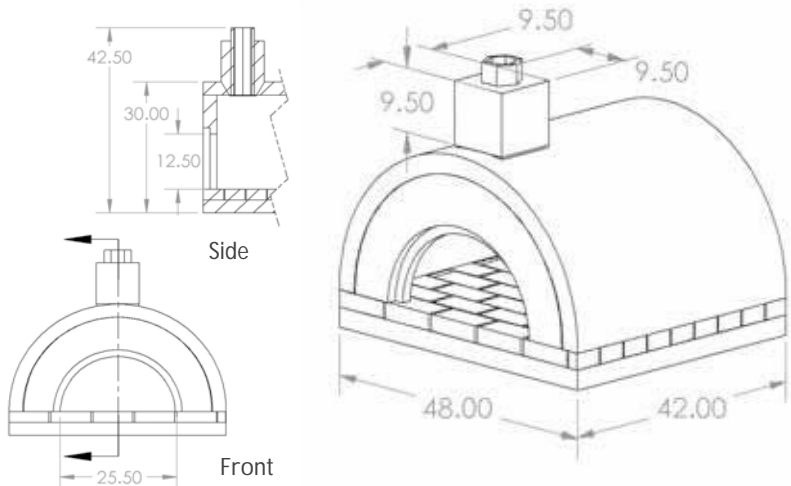
Recommended Accessories: Wood-clad door, Stone Age Multi-Purpose Ready-Mix.

Amerigo™ Pizza Oven

The Amerigo™ Pizza Oven has everything you need for old world pizza cooking and more. Featuring an arched cooking chamber and over 1500 square inches of cooking surface, the Amerigo™ complements any outdoor kitchen. Cooking surface measures 36" deep by 42" wide. Kits include firebrick, 9" chimney flue and metal oven door.

Item No	Model	Weight
SA-APO-48	Amerigo™ Pizza Oven	1650

Refer to Section 16 of Price List



Recommended Accessories: Wood-clad door, Stone Age Multi-Purpose Ready-Mix.

Amerigo™ Pizza Oven Inner Liner, Access Tunnel & Baseplate Extension Kits

The Amerigo™ Pizza Oven is now easily customizable for the discerning chef.

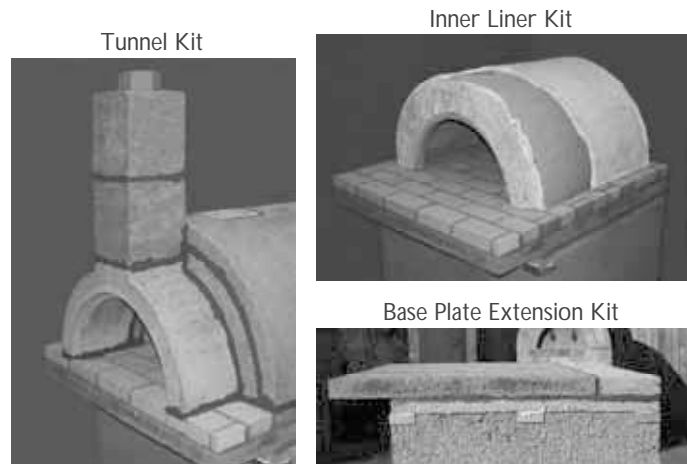
A one-piece refractory concrete Inner Liner kit with ceramic blanket delivers exceptional insulating properties for increased heating efficiency.

The Tunnel kit creates a traditional entry landing, while lowering and bringing forward the chimney for greater heating control in the front of the oven.

The Base Plate Extension kit creates an extended hearth and landing area, and also facilitates installation of the Tunnel kit. Includes firebrick.

Item No	Model	Weight
SA-APO48-IL	Inner Liner Kit	300
SA-APO48-ATWC	Tunnel Kit	315
SA-APO48-BPE	Base Plate Extension	215

Refer to Section 16 of Price List

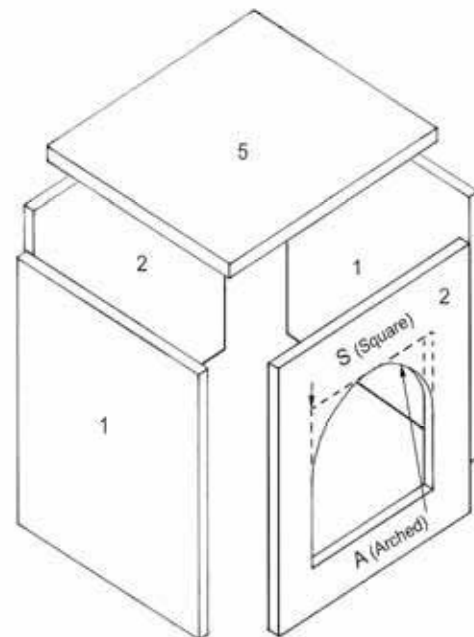
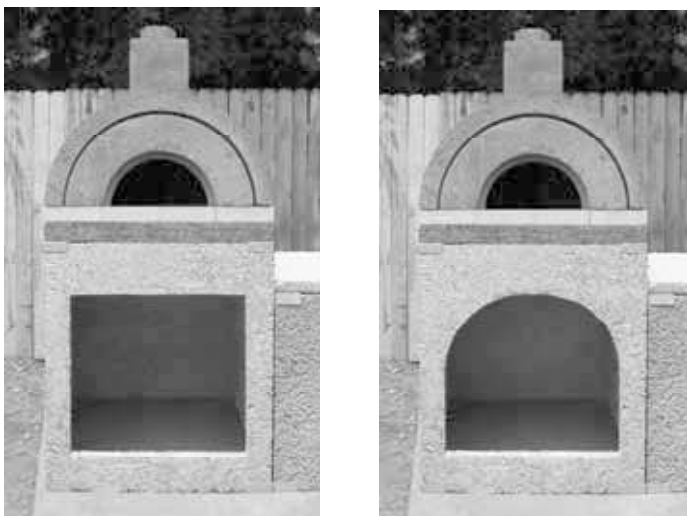


Amerigo™ & Mezzo™ Pizza Oven Cabinets

Using the same technology as our Cabinet Component System™, the Amerigo™ and Mezzo™ Pizza Oven Cabinets create a solid base with plenty of storage, and are offered with an arched or square opening, or without opening, for custom configurations. Cabinets for both pizza oven models are 44" tall, giving a cooking surface height of approximately 50".

Item No	Model	Weight
SA-PCA-48	Amerigo™ Cabinet, Arched	1120
SA-PCS-48	Amerigo™ Cabinet, Square	1120
SA-PCN-48	Amerigo™ Cabinet, No Opening	1120
SA-MCA-36	Mezzo™ Cabinet, Arched	670
SA-MCS-36	Mezzo™ Cabinet, Square	670
SA-MCN-36	Mezzo™ Cabinet, No Opening	735

Refer to Section 17 of Price List



Recommended Accessories: Wood cabinet doors, concrete adhesive, Stone Age Multi-Purpose Ready-Mix.

Brick Oven Glass Doors

Glass doors are a great addition to the Stone Age Brick Oven, providing better temperature control and a clean, finished look. Available in single or double pane models.

Item No	Model	Weight
SA-ASDBO	Single Pane Glass Door for Brick Oven	30
SA-ADDBO	Double Pane Glass Door for Brick Oven	30

SA-ADDBO



SA-ASDBO



Refer to Section 18 of Price List

Pizza Oven & Wood Storage Doors

Stone Age oven and wood storage doors provide the finishing touch for the outdoor room. Metal doors finished in black high-heat paint are included with Mezzo™ and Amerigo™ pizza ovens, with beautiful wood-clad metal doors available as an option. Matching wood doors are offered for all wood storage cabinets. All wood doors are offered unfinished and ready for staining, sealing or painting.

Item No	Model	Weight
SA-APODA-ML	Amerigo™ 1/8" Steel Door, Standard	18
SA-APODA-UN	Amerigo™ Wood-Clad Steel Door, Unfinished	20
SA-MPODA-ML	Mezzo™ 1/8" Steel Door, Standard	8
SA-MPODA-UN	Mezzo™ Wood-Clad Steel Door, Unfinished	10
SA-PCDA-UN	Wood Cabinet Door, Arched, Unfinished	18
SA-PCDS-UN	Wood Cabinet Door, Square, Unfinished	18

SA-APODA-UN



SA-PCDS-UN



SA-APODA-ML



SA-PCDA-UN



SA-MPODA-UN



SA-MPODA-ML



Refer to Section 18 of Price List

Accessory Items to Complete Installation of Stone Age Oven Models

Item No	Model	Weight
Chimney Sections		
SAFL1313-6	6"t Small width for Brick and Vecchio™ oven kits	100
SAFLAPO	12"t for Amerigo™ and Mezzo™ oven kits	46
High-Temperature Mortar		
SA-APRM	Multi-Purpose Ready-Mix Mortar, 5 Gallons	60

Refer to Sections 8 and 19 of Price List

SAFL1313-6



SAFLAPO



SA-APRM



Chimney Caps

A variety of chimney caps are available for our fireplaces, brick ovens and pizza ovens. Standard, flat-top chimney caps with mesh screening are available in black galvanized steel, stainless steel, or copper. Three styles of decorative copper chimney caps are available for use with all fireplaces models except the Veranda™.

Standard Chimney Caps

Item No	Model	Weight
SA-BBT1010	Black Galvanized, Veranda™, Amerigo™ & Mezzo™	9
SA-CBO1313	Black Galvanized, 24" Fireplaces & Ovens	10
SA-CBO1318	Black Galvanized, New Age™ Fireplaces	12
SA-CBO1818	Black Galvanized, 36" & 48" Fireplaces	15
SA-BT1010	Stainless Steel, Veranda™, Amerigo™ & Mezzo™	9
SA-SS1313U	Stainless Steel, 24" Fireplaces & Ovens	10
SA-SS1318U	Stainless Steel, New Age™ Fireplaces	11
SA-SS1818U	Stainless Steel, 36" & 48" Fireplaces	13
SA-CBT1010	Copper, Veranda™, Amerigo™ & Mezzo™	9
SA-CP1313	Copper, 24" Fireplaces & Ovens	10
SA-CP1318	Copper, New Age™ Fireplaces	12
SA-CP1818	Copper, 36" & 48" Fireplaces	15

SA-CBO1313



SA-SS1313U



SA-CP1313



Decorative Copper Chimney Caps

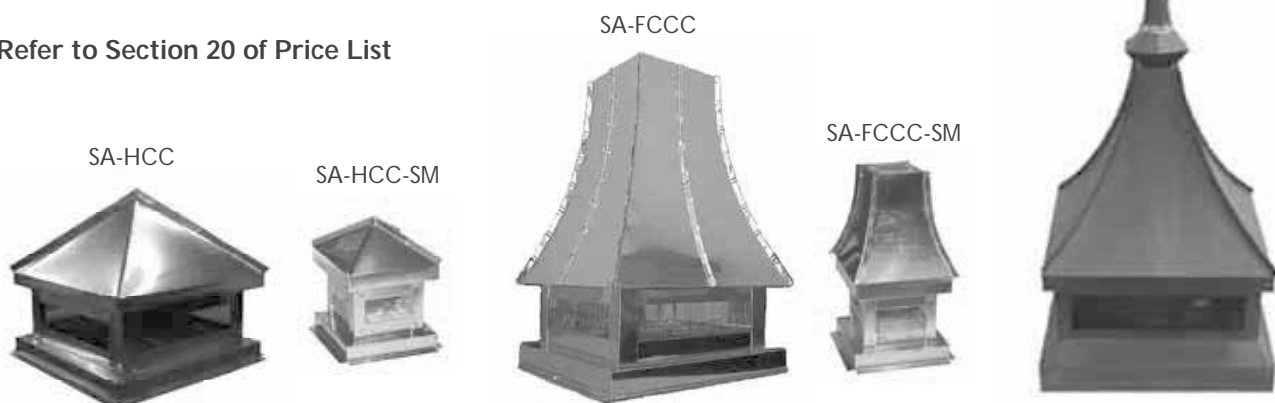
Item No	Model	Weight
SA-FTCC	Copper, Finial Shape, 42" tall	30
SA-FTCC-SM	Copper, Finial Shape, Small	30
SA-FCCC	Copper, French Curve Shape, 38" tall	30
SA-FCCC-SM	Copper, French Curve Shape, Small	30
SA-HCC	Copper, Hip Shape, 21" tall	30
SA-HCC-SM	Copper, Hip Shape, Small	30

Hip, Finial and French Curve Decorative caps now available for all fireplaces and ovens.

SA-FTCC



Refer to Section 20 of Price List



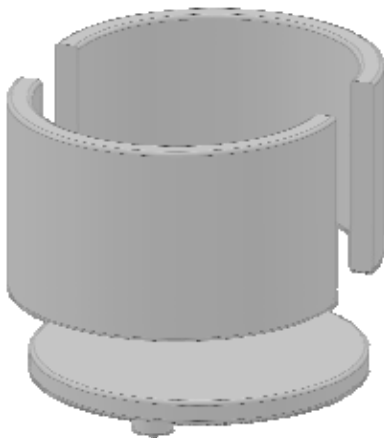
Stone Age Fire Pits

Stone Age offers a wide selection of fire pits for any setting. Simple, three to five piece construction greatly speeds up installations. All models now feature extended baseplates with molded feet, which may be used to allow movement after assembly or to create clearance and airflow under the unit, as required for installations on wooden structures, or the base may be positioned to place the feet inside the pit if not needed. Three round configurations are available, plus a square model, and optional extension kits to create a rectangular fire pit. Lining with firebrick is recommended for wood burning applications.

Refer to Section 21 of Price List

Tall Round Fire Pit

Item No	Model	Dimensions	Weight
SA-TRP	Tall Round	42" w x 25" t, 36" I.D. 27 1/2" t with feet	620

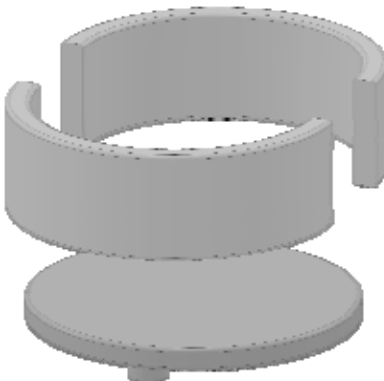


SA-TRP



Short Round Fire Pit

Item No	Model	Dimensions	Weight
SA-SRP	Short Round	42" w x 14" t, 36" I.D. 16 1/2" t with feet	480



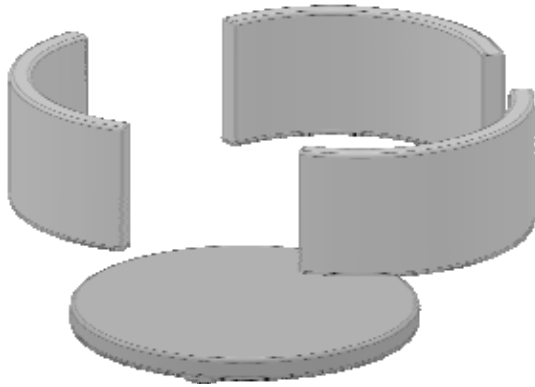
SA-SRP



Recommended Accessories: Fire pit grate sets, top-mount expanded metal cooking grates, top-mount slotted decorative/cooking grates, solid metal fire pit cover, fire management tool, Stone Age Multi-Purpose Ready-Mix

Large Round Fire Pit

Item No	Model	Dimensions	Weight
SA-LRP	Large Round	48" w x 18" t, 42" I.D. 20 1/2" t with feet	700



SA-LRP



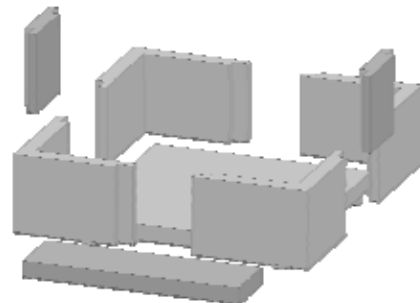
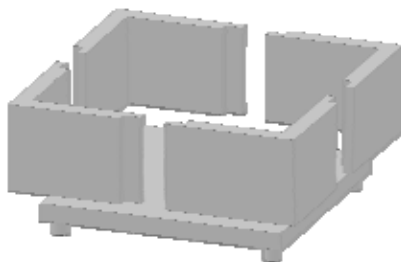
Refer to Section 21 of Price List

Square Fire Pit & Extension Kit

Item No	Model	Dimensions	Weight
SA-SQP	Square	42" w x 42" w x 15" t, 36" I.D. 17 1/2" t with feet	650
SA-EXT	Extension Kit—adds 12" width to square pit		100



SA-SQP



SA-EXT

Recommended Accessories: Fire pit grate sets, top-mount expanded metal cooking grates, top-mount slotted decorative/cooking grates, solid metal fire pit cover, fire management tool, Stone Age Multi-Purpose Ready-Mix

Fire Pit Decorative, Cooking & Log Grates

Log grates elevate the logs inside the fire pit, allowing more airflow through the fire for more complete combustion, and are available in two sizes, to fit any Stone Age fire pit model. Stone Age Decorative cooking grates feature an attractive, slotted pattern, while standard Cooking grates feature a diamond pattern, to allow placement of smaller food items directly on the grate. All grates are constructed of welded carbon steel, and have a high-temperature black finish.

SA-D8927-6

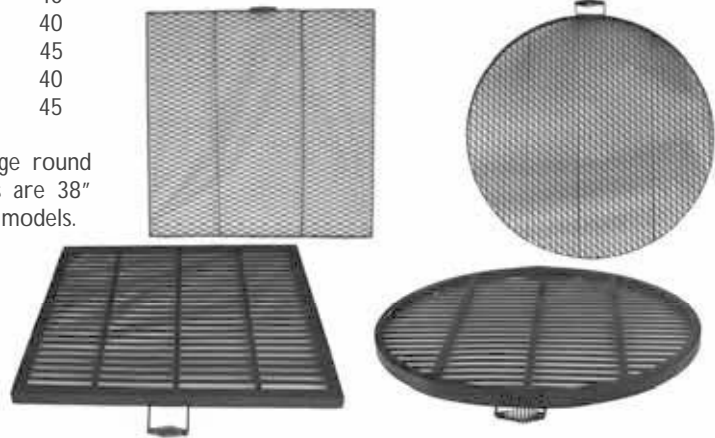


Item No	Model	Weight
SA-D8927-6	27" w x 15" d Steel Log Grate,	30
SA-FPC-SQEM	Square Top-Mount Cooking Grate	40
SA-FPC-SQSP	Square Decorative Slotted Grate	40
SA-FPC-REM	Round Top-Mount Cooking Grate	40
SA-FPC-LREM	Large Round Top-Mount Cooking Grate	45
SA-FPC-RSP	Round Decorative Slotted Grate	40
SA-FPC-LRSP	Large Round Decorative Slotted Grate	45

SA-FPC-SQEM

SA-FPC-REM

Note: Round top-mount grates are 38" in diameter, large round grates are 44" in diameter. All square top-mount grates are 38" across. Standard fireplace log grates are used with all fire pit models.



SA-FPC-SQSP

SA-FPC-RSP

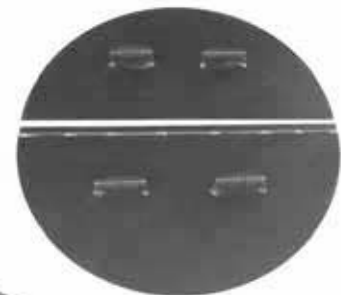
Refer to Sections 22 of Price List

Fire Pit Covers

Fire pit covers help prevent moisture accumulation inside the unit when not in use, and also give a clean, finished look. Our two-piece, 1/8" carbon steel covers have four welded metal handles, for easy placement and removal, and have a high-temperature black finish.

Note: Round covers are 41" in diameter, large round covers are 47" in diameter. Square covers are 41" across.

Item No	Model	Weight
SA-FPC-R	2-Piece, Black Steel, Standard Round Pits	52
SA-FPC-LR	2-Piece, Black Steel, Large Round Pits	64
SA-FPC-SQ	2-Piece, Black Steel, Square Pits	75



SA-FPC-R

Refer to Section 22 of Price List



Refer to Section 22 of Price List

Stone Age Multi-Purpose Ready-Mix

Stone Age Multi-Purpose Ready-Mix is a newly-developed, comprehensive blend of refractory mortar and other additives, specifically formulated for the construction and finishing of all Stone Age products. Designed to withstand the high temperature conditions encountered by wood burning hearth products, Stone Age Multi-Purpose Ready-Mix provides superior performance in fireplace, fire pit or oven joints, as well as firebrick installation, and allows plenty of working time without the risk of flash setting. The Stone Age Ready-Mix incorporates a bonding agent to facilitate the adhesion of finishing materials on any Stone Age hearth product or kitchen island kit, and is also formulated for low moisture absorption after curing. A complete, start-to-finish mortar blend in a single package, simply mix with water and you are ready to assemble and finish any project, large or small. Approximately one hour working time, and the mix may be rewetted once per use.



Item No	Model	Weight
SA-APRM	Multi-Purpose Ready-Mix Mortar, 5 Gallons	60

Refer to Section 19 of Price List

Firebrick & Adhesives

Stone Age offers multiple firebrick options, adhesive for the Cabinet Component System™ and Veranda™ kits, and our original high-temperature additive for replacement in our older fireplace kits.

Item No	Model	Weight
SA-CADH	Concrete adhesive, for Veranda™ & Cabinet Component System™	1
SA-S1001	Firebrick - Splits, 9" x 4 1/2" x 1 1/4"	4
SA-S1006	Firebrick - Full Size, 9" x 4 1/2" x 2 1/2"	8
SA-S1001R	Firebrick - Splits, Red, 9" x 4 1/2" x 1 1/4"	4
SA-S1006R	Firebrick - Full Size, Red, 9" x 4 1/2" x 2 1/2"	8



Refer to Section 19 of Price List

Stone Age Refractory Panel Kits



Stone Age Refractory Panel Kits were created to replace the traditional firebrick in our outdoor fireplace kits, greatly speeding up kit assembly, while removing one of the more challenging aspects of fireplace installation for the non-mason. Colored with an integral pigment that captures the look of real firebrick wall and fireclay. Available for Standard, Contractor and New Age™ Outdoor fireplace models.

Item No	Model	Weight
SA-RPK24	Refractory Panel Kit for 24" Standard fireplaces	240
SA-RPK36	Refractory Panel Kit for 36" Standard fireplaces	285
SA-RPK39	Refractory Panel Kit for 39" New Age™ fireplaces	305
SA-RPK45	Refractory Panel Kit for 45" New Age™ fireplaces	320
SA-RPK48	Refractory Panel Kit for 48" Standard fireplaces	335
SA-RPK51	Refractory Panel Kit for 51" New Age™ fireplaces	355

Refer to Section 19 of Price List

Cabinet Component System™ Construction Overview

The Cabinet Component System™ creates infinitely configurable kitchen islands, featuring our patented, glass fiber reinforced concrete panels and bracket system. Kitchen Island installations are greatly simplified, giving faster build times and lower labor cost, while delivering strength and durability far superior to any other system available. Kits may be combined or modified to create custom designs or fit unique applications. Basic assembly takes minutes, and appliance openings may be cut immediately after the panels are set, using standard masonry saw blades. Finishing may begin immediately after cutting has been completed, and appliance installation may start as soon as the finish materials have dried.

For best results, Stone Age recommends using our concrete adhesive for all Cabinet Component System™ installations.



Kit on pallet. Note: Kits up to 15' ship on a single pallet.



Step 1 - Place lower bracket and raise first panel.



Step 2 - raise next panel, running a bead of adhesive at joints.



Step 3 - Place upper bracket at joints, which give strength and maintain spacing.



Step 4 - Continue raising side panels, using adhesive and brackets.



Step 5 - Place end panel and final end bracket.



Step 6 - Place top panels and backsplash kits, if applicable.

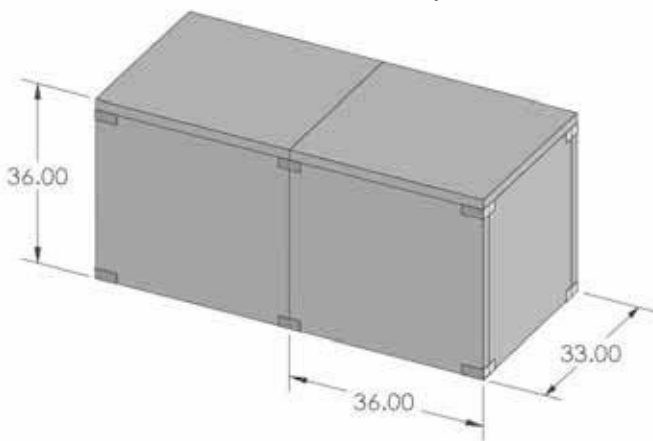


Estimated Time for Construction Steps 1 - 6 as Shown:

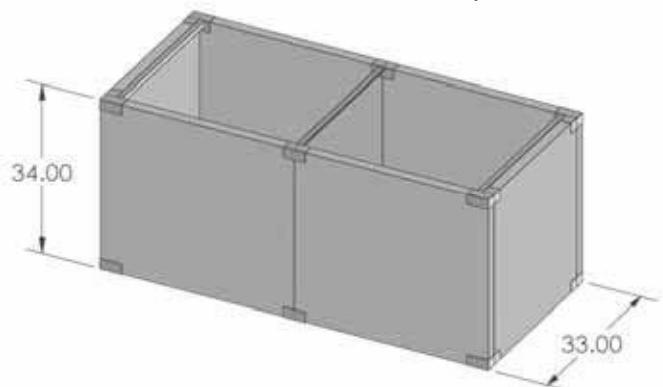
20 Minutes for Experienced Installer.

Common Dimensions for All Models

Models With Top

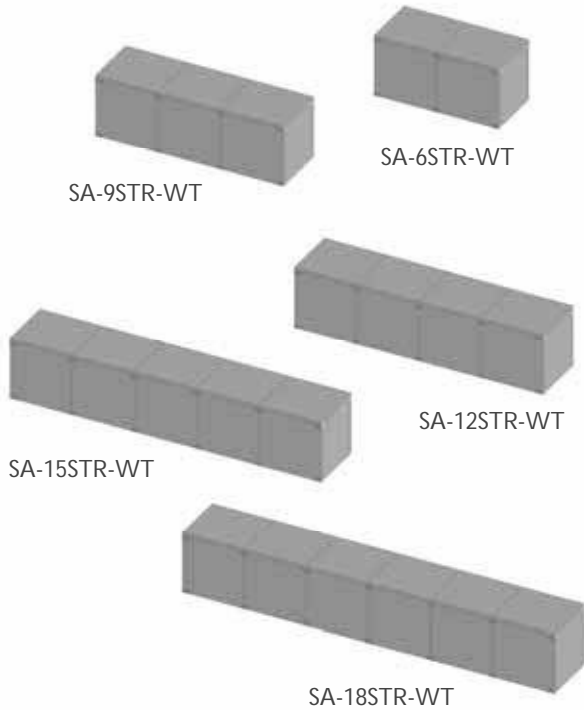


Models Without Top



Kits are listed in 3' width increments, with sizing referring to the shortest side, which is normally the front or appliance side of the unit. All models are available with or without top panels of the same material as the sidewalls. Kits with tops are recommended for installations where countertops 3" thick or less will be used, to give extra support to the finished countertop material and appliances, however, the installer may make the final decision regarding the use of kit tops. All kits are 33" deep and 36" tall with top or 34" tall without tops.

STR Series



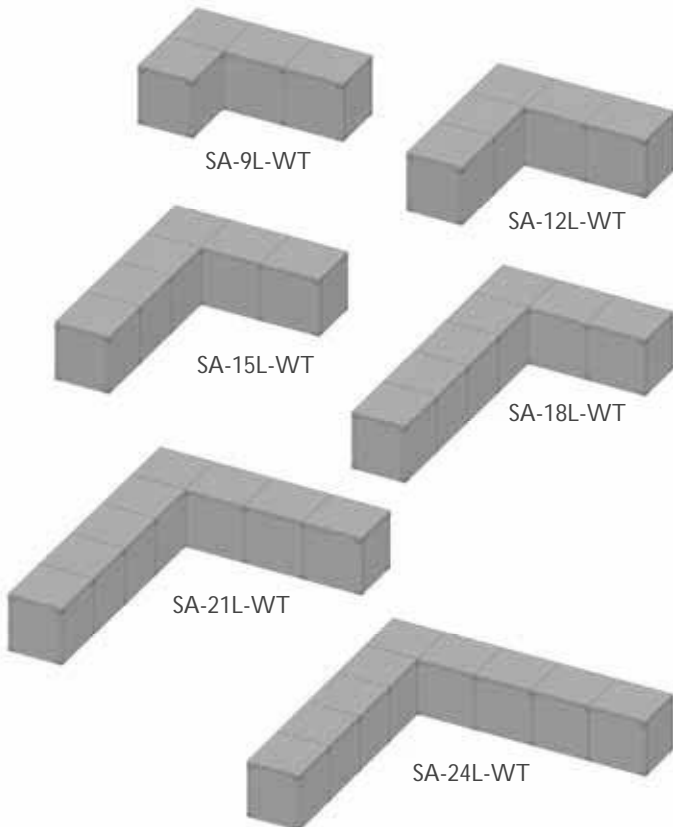
The STR Series straight islands are available in lengths of 6, 9, 12, 15 and 18, and like all Cabinet Component System™ islands, may be expanded by combining multiple kits.

Item No	Model	Weight
SA6STR-WT	6' Straight Island with Top	1120
SA6STR-WOT	6' Straight Island without Top	870
SA9STR-WT	9' Straight Island with Top	1500
SA9STR-WOT	9' Straight Island without Top	1125
SA12STR-WT	12' Straight Island with Top	1980
SA12STR-WOT	12' Straight Island without Top	1480
SA15STR-WT	15' Straight Island with Top	2475
SA15STR-WOT	15' Straight Island without Top	1850
SA18STR-WT	18' Straight Island with Top	2970
SA18STR-WOT	18' Straight Island without Top	2220

Kits are 33"d x 36"t (WT) or 33"d x 34"t (WOT)

Refer to Section 23 of Price List

L Series



L Series islands are available in 9, 12, 15, 18, 21 and 24 foot lengths. Sizing refers to the approximate length of the inside or shorter angles of the unit.

Item No	Model	Weight
SA9L-WT	9' L Island with Top	1860
SA9L-WOT	9' L Island without Top	1360
SA12L-WT	12' L Island with Top	2180
SA12L-WOT	12' L Island without Top	1555
SA15L-WT	15' L Island with Top	2520
SA15L-WOT	15' L Island without Top	1770
SA18L-WT	18' L Island with Top	3240
SA18L-WOT	18' L Island without Top	2365
SA21L-WT	21' L Island with Top	3780
SA21L-WOT	21' L Island without Top	2780
SA24L-WT	24' L Island with Top	4320
SA24L-WOT	24' L Island without Top	3195

Kits are 33"d x 36"t (WT) or 33"d x 34"t (WOT)

Refer to Section 24 of Price List

F Series



SA-9F-WT



SA-12F-WT



SA-15F-WT



SA-18F-WT

F Series or fanfold islands are offered in 9, 12, 15 and 18 foot lengths. Sizing refers to the approximate length of the inside or shorter angles of the unit.

Item No	Model	Weight
SA9F-WT	9' Fanfold Island with Top	1530
SA9F-WOT	9' Fanfold Island without Top	980
SA12F-WT	12' Fanfold Island with Top	2100
SA12F-WOT	12' Fanfold Island without Top	1425
SA15F-WT	15' Fanfold Island with Top	2550
SA15F-WOT	15' Fanfold Island without Top	1750
SA18F-WT	18' Fanfold Island with Top	3060
SA18F-WOT	18' Fanfold Island without Top	2135

Kits are 33"d x 36"t (WT) or 33"d x 34"t (WOT)

Refer to Section 25 of Price List

FF Series



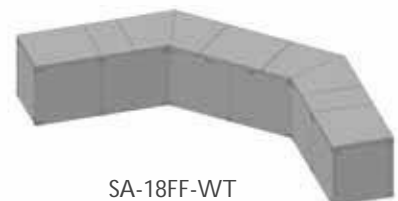
SA-9FF-WT



SA-12FF-WT



SA-15FF-WT



SA-18FF-WT

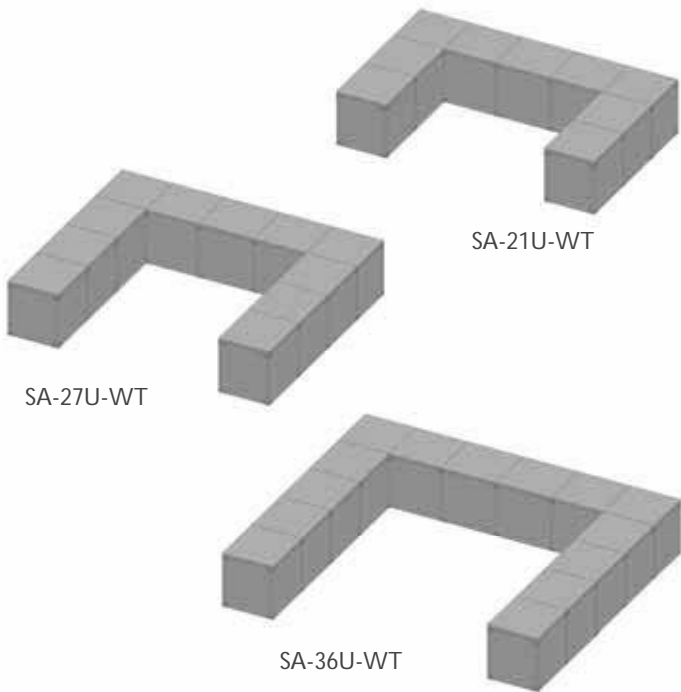
FF Series or double-fanfold islands are available in 9, 12, 15 and 18 foot lengths. Sizing refers to the approximate length of the inside or shorter angles of the unit.

Item No	Model	Weight
SA9FF-WT	9' Double Fanfold Island with Top	1530
SA9FF-WOT	9' Double Fanfold Island without Top	980
SA12FF-WT	12' Double Fanfold Island with Top	2100
SA12FF-WOT	12' Double Fanfold Island without Top	1425
SA15FF-WT	15' Double Fanfold Island with Top	2550
SA15FF-WOT	15' Double Fanfold Island without Top	1750
SA18FF-WT	18' Double Fanfold Island with Top	3060
SA18FF-WOT	18' Double Fanfold Island without Top	2135

Kits are 33"d x 36"t (WT) or 33"d x 34"t (WOT)

Refer to Section 26 of Price List

U Series



U Series islands provide plenty of counter space and are offered in 21, 27 and 36 foot lengths. Sizing refers to the approximate length of the inside or shorter angles of the unit.

Item No	Model	Weight
SA21U-WT	21' U Island with Top	3780
SA21U-WOT	21' U Island without Top	2655
SA27U-WT	27' U Island with Top	4860
SA27U-WOT	27' U Island without Top	3485
SA36U-WT	36' U Island with Top	6480
SA36U-WOT	36' U Island without Top	4730

Kits are 33"d x 36"t (WT) or 33"d x 34"t (WOT)

Refer to Section 27 of Price List

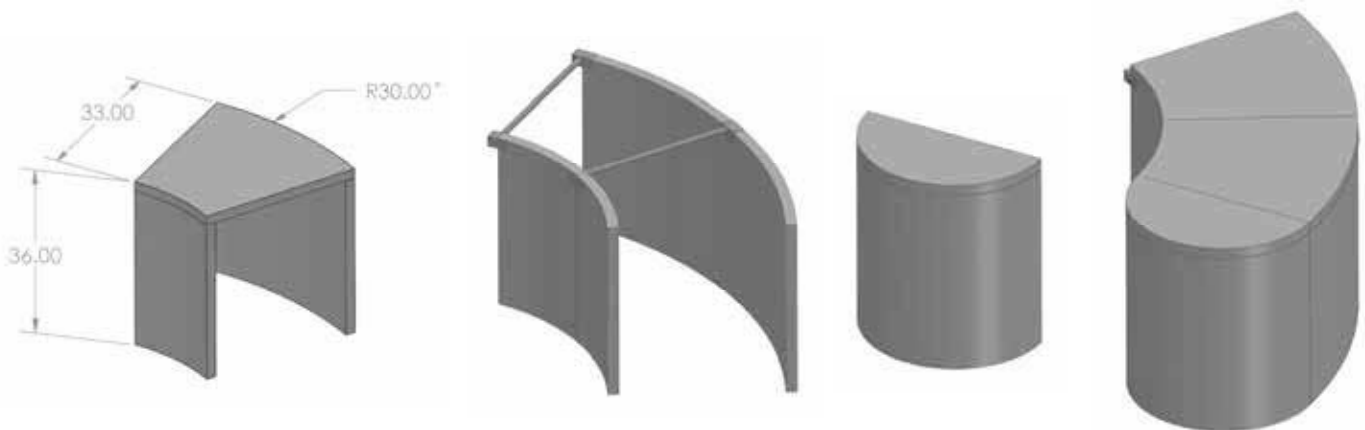
Radiused Series Island Kits and Individual Sections

New

Stone Age Manufacturing brings an exciting new level of innovation to outdoor living with our Radiused Series island kits, end caps, and individual island sections, adding a dimension to outdoor kitchen design previously unavailable in modular masonry construction.

Based on a 30° radius, each section is approximately 36" wide on the longer or outer side and 18" wide on the inner side, while maintaining the same height and depth dimensions as other kits in the Cabinet Component System™ line.

Several complete kit models are offered, and individual sections may be combined with standard Cabinet Component System™ island kits and radiused end caps, to create any outdoor kitchen layout the designer can envision.



Radiused Series

The Radius Series islands offer flexibility in design never before available in modular masonry kits, and may be further customized by combining multiple kits and configurations.

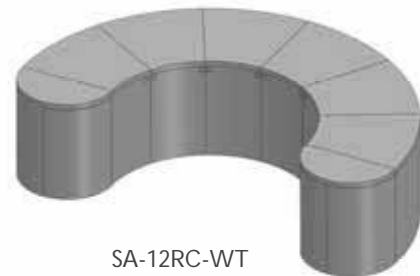
Note: Radiused Series kits include 2 Radiused End Caps.

Item No	Model	Weight
SA12RC-WT	12' Radiused C Island with Top	1692
SA12RC-WOT	12' Radiused C Island without Top	1108
SA18RL-WT	18' Radiused L Island with Top	2994
SA18RL-WOT	18' Radiused L Island without Top	2162
SA21RJ-WT	21' Radiused J Island with Top	3092
SA21RJ-WOT	21' Radiused J Island without Top	2133
SA24RU-WT	24' Radiused U Island with Top	3932
SA24RU-WOT	24' Radiused U Island without Top	2848
SA27RS-WT	27' Radiused S Island with Top	3168
SA27RS-WOT	27' Radiused S Island without Top	2080

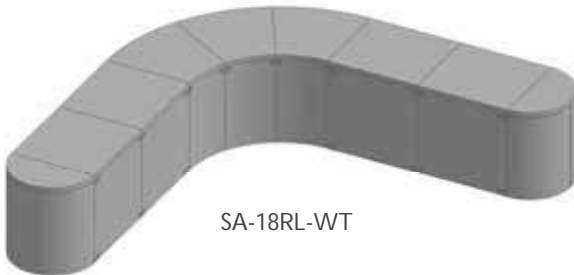
Kits are 33"d x 36"t (WT) or 33"d x 34"t (WOT)

Refer to Section 28 of Price List

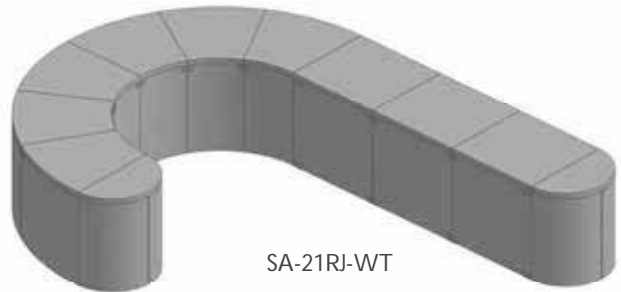
New



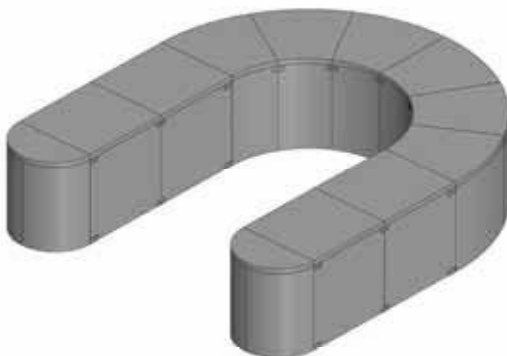
SA-12RC-WT



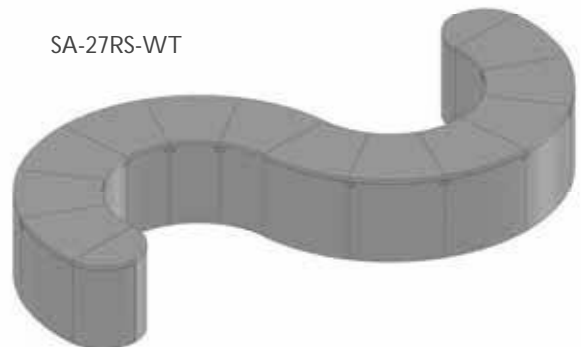
SA-18RL-WT



SA-21RJ-WT



SA-24RU-WT



SA-27RS-WT

Radiused Island Sections

Radiused Series islands sections are offered as kits in 30° increments, up to 180°, and are intended for applications where they will be combined with additional radiused sections to create circular layouts of greater than 180°, or with standard Cabinet Component System™ kits, for unique, highly customized island layouts.

Radiused Island Section kits do not include end panels or Radiused End Caps.

Item No	Model	Weight
SA30RDS-WT	30° Radiused Section with Top	246
SA30RDS-WOT	30° Radiused Section without Top	162
SA60RDS-WT	60° Radiused Section with Top	492
SA60RDS-WOT	60° Radiused Section without Top	324
SA90RDS-WT	90° Radiused Section with Top	738
SA90RDS-WOT	90° Radiused Section without Top	486
SA120RDS-WT	120° Radiused Section with Top	984
SA120RDS-WOT	120° Radiused Section without Top	648
SA150RDS-WT	150° Radiused Section with Top	1230
SA150RDS-WOT	150° Radiused Section without Top	810
SA180RDS-WT	180° Radiused Section with Top	1476
SA180RDS-WOT	180° Radiused Section without Top	972

SA60RDS-WOT



Kits are 33"d x 36"t (WT) or 33"d x 34"t (WOT)

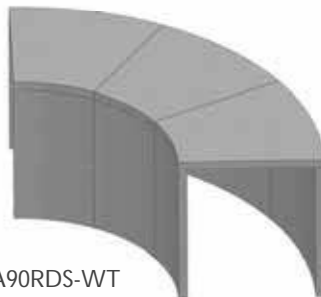
Refer to Section 29 of Price List

New

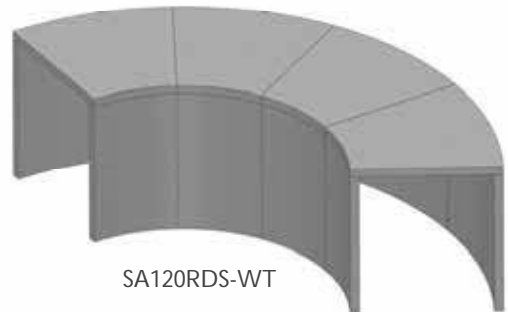
SA30RDS-WT



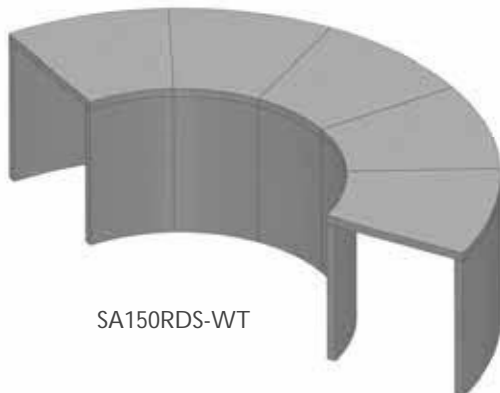
SA60RDS-WT



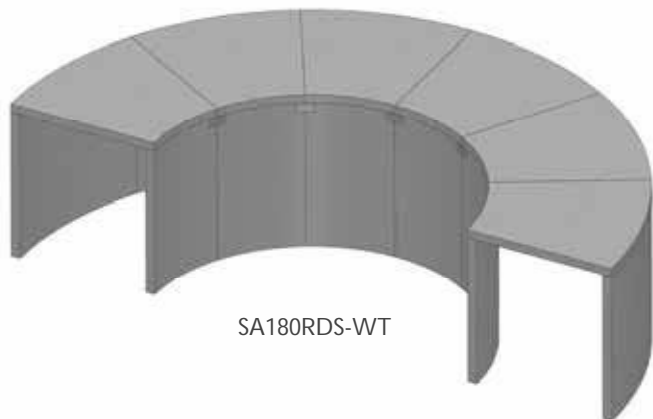
SA90RDS-WT



SA120RDS-WT



SA150RDS-WT



SA180RDS-WT

Radiused End Caps

Radiused End Caps may be added to create a unique finishing touch to any Cabinet Component System™ island kit, and may also be used to create stand-alone tables or fire and cooler features.

Radiused End Cap kits do not include Radiused End Backsplash or Bar Top Backsplash.

Item No	Model	Weight
SA-RDS-END-WT	Radiused End Cap with Top	112
SA-RDS-END-WOT	Radiused End Cap without Top	72

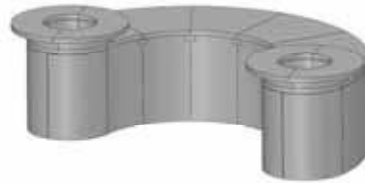
Kits are 33" w x 16 1/2" d x 36" t (WT) or 33" w x 16 1/2" d x 34" t (WOT)

New

SA-RDS-END-WT



Refer to Section 29 of Price List



Radiused End Cap Combined with Backsplash and Bar Top Kits

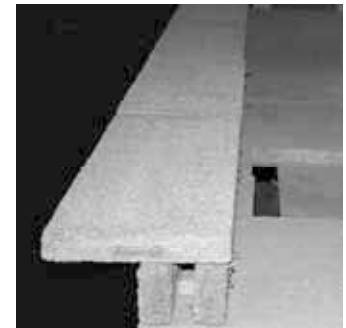
Radiused End Caps with C Island Kit

Backsplash Kits

Cabinet Component Backsplash kits are offered in two configurations, standard backsplash and backsplash with bar top. Each kit is 3 foot in length, and multiple kits can be added to any Cabinet Component System™ island. Kits are 8 inches tall, and when assembled, have a 2 inch by 6 inch interior space that can be used as an electrical chase. Bar top backsplash kits feature a 6 inch overhang with metal bracketing for extra stability.

Available in straight, radiused, reversed radiused, and radiused end configurations.

Item No	Model	Weight
SA-BSWT	3' Backsplash Kit with Bar Top	75
SA-BSWOT	3' Backsplash Kit without Bar Top	50
SA-RBSWT	3', 30° Backsplash Kit with Bar Top	76
SA-RBSWOT	3', 30° Backsplash Kit without Bar Top	58
SA-REVRBSWT	18", 30° Reverse Backsplash Kit with Bar Top	46
SA-REVRBSWOT	18", 20° Reverse Backsplash Kit without Bar Top	36
SA-REBSWT	33", 180° End Cap Backsplash Kit with Bar Top	52
SA-REBSWOT	33", 180° End Cap Backsplash Kit without Bar Top	40



Refer to Section 31 of Price List

New

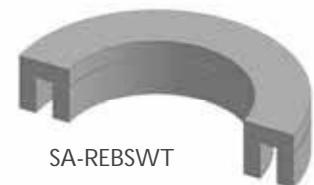
SA-BSWT



SA-RBSWT



SA-REVRBSWT



SA-REBSWT

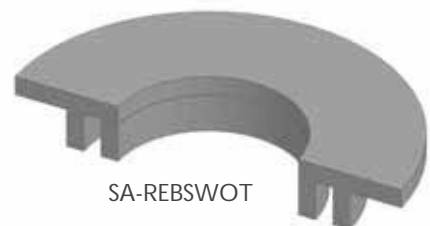
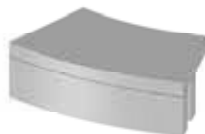
SA-BSWOT



SA-RBSWOT



SA-REVRBSWOT



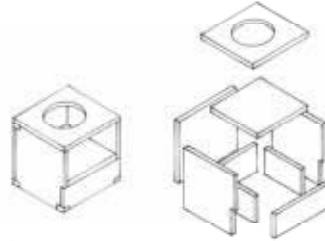
SA-REBSWOT

Ceramic Cooker Island Kits



Ceramic Cooker Island Kits eliminate the difficulties of installing these popular charcoal grills in an outdoor kitchen island. Our kits are configured with an open front for easy access to lower air vents, but can easily be configured with doors to match the other appliances in an application. The 22" diameter top cut- out fits the most popular sized round cookers, or may be modified to fit oversized or oval designs.

Item No	Model	Weight
SA-CERC	Ceramic Cooker Kit	850



Refer to Section 32 of Price List

Counter Height Extension Kits



Counter Height Extension Kits offer a simple and effective solution when taller countertops are desired. Kits are 36" wide by 33" deep by 6" tall, and are installed directly on the island kit walls, with the island's countertop placed on top of the extensions.

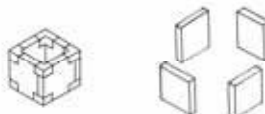
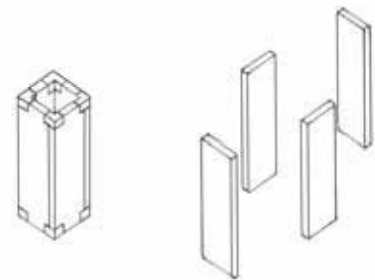
Item No	Model	Weight
SA-CHE	Height Extension Kit	95

Refer to Section 32 of Price List

Column & Seat Wall Kits

Column and Seat Wall Kits quickly create beautiful accents, while greatly simplifying the application of masonry finishes, and may be incorporated into walls, fencing or other applications. Column Kits are 36" tall by 14" wide, and 12" height extension kits are available if taller columns are desired. Seat Walls are easily created using our 36" wide by 12" deep by 18" tall kits, and can be trimmed to fit any angle or radius.

Item No	Model	Weight
SA-TC-3	Column Kit	176
SA-CEXT	Column Extension Kit	60
SA-SW-3	Seat Wall Kit	170



Refer to Section 32 of Price List

Big Pig™ and Little Pig™ Cabinet Smokers

The Big Pig™ and Little Pig™ Cabinet Smokers are the ultimate set up for low temperature (low & slow) smoking.

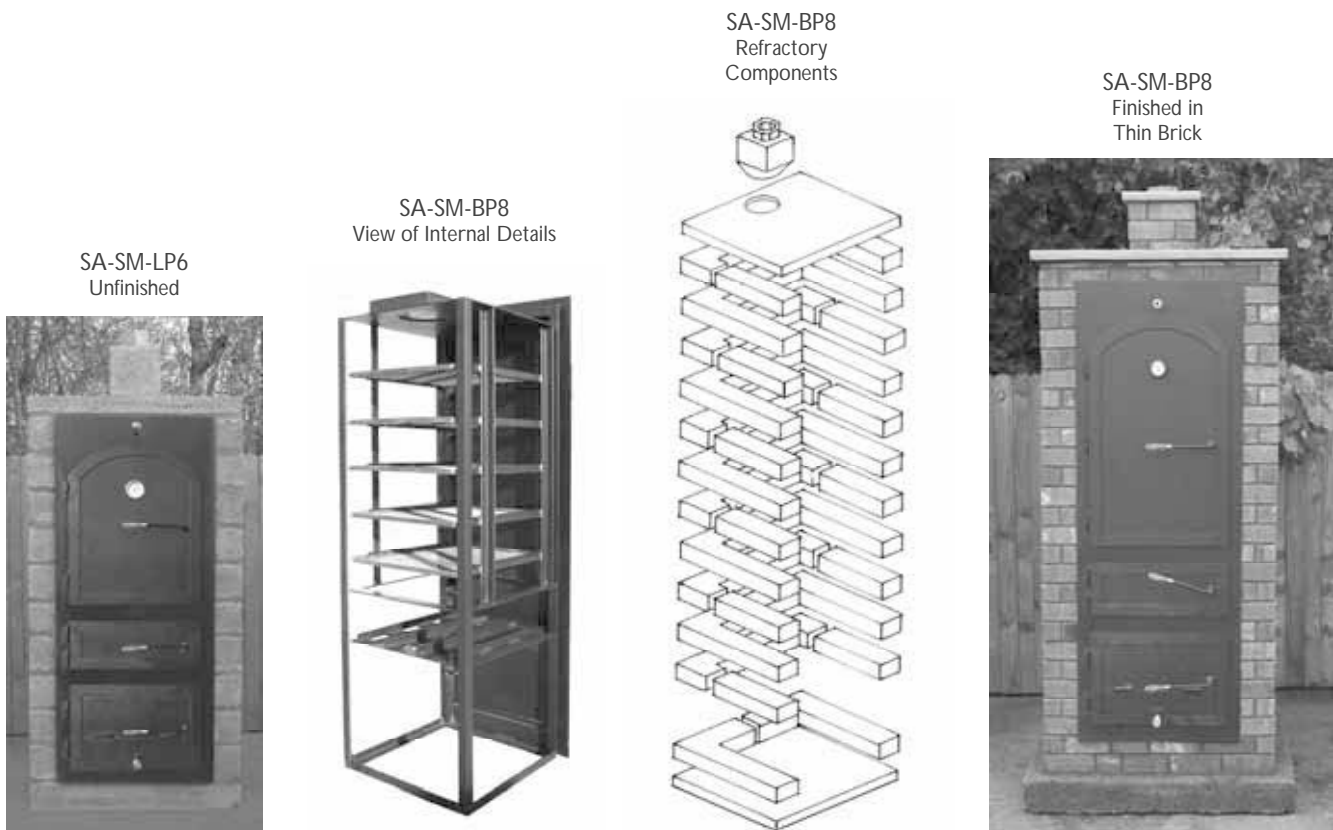
Comprised of a heavy steel framework with multiple access doors, and a thick refractory outer shell for maximum temperature stability, these smokers combine a large number of features never before available in a kit configuration, to give smoking performance far superior to any other smoker, in a package that will fit into any outdoor setting.

Multi-point air vents give you precise control over temperature. The Big Pig™ features 5 cooking positions, and includes 4, 18" x 20" cooking racks and a hanging hook, for whole pigs or large meat cuts. The Little Pig™ offers 4 cooking positions, with 3 18" x 20" cooking racks, for plenty of cooking surface in a smaller package. Separate doors for each section allows individual adjustment of the firebox, liquid/drip tray and cooking racks. The heavy, 1/4" thick metal face, doors and main framework are designed to last a lifetime. Heavy duty, spring-loaded latch handles, with wire stove handle grips and a high-quality thermometer round out the long list of features included with these units.

The refractory outer shell features 6" thick walls, which help maintain a constant temperature, allowing you to check the food, add wood or liquid, and make other adjustments, without the heat loss typically experienced when opening an all-metal smoker. Opening the doors result in a momentary temperature drop, that quickly returns to the desired temperature, without the need to adjust the air control. The refractory shell is designed to accept any masonry compatible finish, allowing the smoker to be seamlessly integrated into the décor of the rest of the outdoor kitchen or room setting, or function as a standalone unit.

Item No	Model	Weight
SA-SM-BP8	8' Big Pig™ Cabinet Smoker, Refractory Shell Kit & Internal Frame	3056
SA-SM-LP6	6' Little Pig™ Cabinet Smoker, Refractory Shell Kit & Internal Frame	2476

Refer to Section 33 of Price List



Finishing Specifications For Fireplace, Fire Pit, Brick Oven & Pizza Oven Models

Model	Size/Name	Approximate Surface/Corner Area	Firebrick Required
Patio Series			
SA-24PS	24"	49 square feet of surface, including 22 linear feet of corners	70 Splits-N/R
SA-36PS	36"	71 square feet of surface, including 22 linear feet of corners	85 Splits-N/R
SA-48PS	48"	94 square feet of surface, including 22 linear feet of corners	105 Splits-N/R
Contractor Series			
SA24CN	24"	62 square feet of surface, including 26 linear feet of corners	70 Splits
SA36CN	36"	85 square feet of surface, including 26 linear feet of corners	85 Splits
SA48CN	48"	109 square feet of surface, including 26 linear feet of corners	105 Splits
Stone Age (Standard)			
SA24	24"	75 square feet of surface, including 32 linear feet of corners	70 Splits
SA36	36"	100 square feet of surface, including 32 linear feet of corners	85 Splits
SA48	48"	125 square feet of surface, including 32 linear feet of corners	105 Splits
New Age™ Outdoor			
SA39	39"	95 square feet of surface, including 32 linear feet of corners	95 Splits
SA45	45"	105 square feet of surface, including 32 linear feet of corners	105 Splits
SA51	51"	115 square feet of surface, including 34 linear feet of corners	135 Splits
SA63	63"	140 square feet of surface, including 34 linear feet of corners	160 Splits
SA75	75"	165 square feet of surface, including 36 linear feet of corners	185 Splits
Contractor Series See-Thru			
SA24CN-ST/STR	24"	58 square feet of surface, including 26 linear feet of corners	70 Splits
SA36CN-ST/STR	36"	79 square feet of surface, including 26 linear feet of corners	85 Splits
SA48CN-ST/STR	48"	101 square feet of surface, including 26 linear feet of corners	105 Splits
See-Thru (Standard)			
SA24-ST/STR	24"	71 square feet of surface, including 32 linear feet of corner	70 Splits
SA36-ST/STR	36"	94 square feet of surface, including 32 linear feet of corners	85 Splits
SA48-ST/STR	48"	118 square feet of surface, including 32 linear feet of corners	105 Splits
Veranda™			
SA-VER-UA	18"	48 square feet of surface, including 24 linear feet of corners	N/R
Extension Kits for Stone Age (Standard Series, 3-Piece Kits)			
SA24-EXT	24"	9 square feet of surface, including 2 linear feet of corners	40 Splits
SA36-EXT	36"	10 square feet of surface, including 2 linear feet of corners	40 Splits
SA48-EXT	48"	11 square feet of surface, including 2 linear feet of corners	46 Splits
SA45-EXT	45"	14 square feet of surface, including 3 linear feet of corners	56 Splits
Extension Kits for See-Thru (Standard Series, 2-Piece Kits, One Size Fits All)			
SA-24STEXT	24"	6 square feet of surface, no additional corners	40 Splits
SA-36STEXT	36"	6 square feet of surface, no additional corners	40 Splits
SA-48STEXT	48"	6 square feet of surface, no additional corners	40 Splits
Fire Pits			
SA-SRP	Short Round	15 square feet of surface and 11 linear feet of coping	51 Splits
SA-TRP	Tall Round	25 square feet of surface and 11 linear feet of coping	74 Splits
SA-LRP	Large Round	25 square feet of surface and 13 linear feet of coping	76 Splits
SA-SQP	Square	20 square feet of surface and 14 linear feet of coping	73 Splits
SA-EXT	Rectangle Extension	3 square feet of surface and 2 linear feet of coping, per kit	19 Splits
Brick & Pizza Ovens			
SA-BO	Brick Oven	40 square feet of surface, including 20 linear feet of corners	40 Full, 40 Splits
SA-VPO-34	Vecchio™ Pizza	32 square feet of surface, including 16 linear feet of corners	40 Full, 20 Splits
SA-MPO-36	Mezzo™ Pizza	25 square feet of surface, including 14 linear feet of corners	30 Full
SA-APO-48	Amerigo™ Pizza	35 square feet of surface, including 14 linear feet of corners	50 Full
Big Pig™ & Little Pig™ Cabinet Smokers			
SA-SM-BP8	Big Pig™ Smoker	66 square feet of surface, including 28 linear feet of corners	50 Full
SA-SM-LP6	Little Pig™ Smoker	51 square feet of surface, including 20 linear feet of corners	50 Full

New Age™ Indoor & Vent-Free (Firebrick Required)

NA36 - 110 Full, NA42 - 120 Full, NA48 - 150 Full, NA60 - 175 Full, NA72 - 200 Full • NA36VF - 110 Full, NA42VF - 120 Full

Note: All finishing specifications are approximate, and do not include waste.

Finishing Specifications for Cabinet Component System™

Kitchen Island Kits

Model	Side Area	Top	Corner
SA6STR-WT	51 sqft	17 sqft	12 lf
SA9STR-WT	69 sqft	25 sqft	12 lf
SA12STR-WT	87 sqft	33 sqft	12 lf
SA15STR-WT	105 sqft	42 sqft	12 lf
SA18STR-WT	123 sqft	50 sqft	12 lf
SA9L-WT	84 sqft	32 sqft	15 lf
SA12L-WT	102 sqft	40 sqft	15 lf
SA15L-WT	120 sqft	49 sqft	15 lf
SA18L-WT	138 sqft	57 sqft	15 lf
SA21L-WT	156 sqft	65 sqft	15 lf
SA24L-WT	174 sqft	73 sqft	15 lf
SA9F-WT	75 sqft	28 sqft	15 lf
SA12F-WT	93 sqft	36 sqft	15 lf
SA15F-WT	111 sqft	45 sqft	15 lf
SA18F-WT	129 sqft	53 sqft	15 lf
SA9FF-WT	82 sqft	31 sqft	18 lf
SA12FF-WT	100 sqft	39 sqft	18 lf
SA15FF-WT	118 sqft	48 sqft	18 lf
SA18FF-WT	136 sqft	56 sqft	18 lf
SA21U-WT	172 sqft	72 sqft	18 lf
SA27U-WT	208 sqft	88 sqft	18 lf
SA36U-WT	262 sqft	113 sqft	18 lf
SA12RC-WT	120 sqft	49 sqft	N/A
SA18RL-WT	138 sqft	57 sqft	N/A
SA21RJ-WT	172 sqft	72 sqft	N/A
SA24RU-WT	220 sqft	88 sqft	N/A
SA27RS-WT	208 sqft	88 sqft	N/A

Wood Storage Cabinet Kits

Model	Side Area	Top	Corner
SA-WCA	29 sqft	9 sqft	12 lf
SA-WCS	29 sqft	9 sqft	12 lf
SA-WCN	33 sqft	9 sqft	12 lf
SA-WAA	17 sqft	5 sqft	N/A

Pizza Oven Cabinet Kits

Model	Side Area	Top	Corner
SA-PCA-48	42 sqft	N/A	16 lf
SA-PCS-48	42 sqft	N/A	16 lf
SA-PCN-48	52 sqft	N/A	16 lf
SA-MCA-36	29 sqft	N/A	16 lf
SA-MCS-36	29 sqft	N/A	16 lf
SA-MCN-36	40 sqft	N/A	16 lf

Ceramic Cooker Cabinet Kit

Model	Side Area	Top	Corner
SA-CERC	27 sqft	8 sqft	12 lf

Column & Seat Wall Kits

Model	Side Area	Top	Corner
SA-TC-3	14 sqft	N/A	12 lf
SA-CEXT	5 sqft	N/A	4 lf
SA-SW-3	9 sqft	3sqft	6 lf

Radiused Island Individual Sections

Model	Side Area	Top	Corner
SA30RDS-WT	26 sqft	9 sqft	N/A
SA60RDS-WT	51 sqft	17 sqft	N/A
SA90RDS-WT	69 sqft	25 sqft	N/A
SA120RDS-WT	87 sqft	33 sqft	N/A
SA150RDS-WT	105 sqft	42 sqft	N/A
SA180RDS-WT	123 sqft	50 sqft	N/A

Note: Cabinet Component System™ Finishing Specifications are based on kits with tops.

Approximate Coverage Specifications for Multi-Purpose Ready-Mix

Kit Assembly Only (including Firebrick, where applicable)

24" Standard, Contractor & Patio Fireplaces	3 Buckets
36" Standard, Contractor & Patio Fireplaces	4 Buckets
48" Standard, Contractor & Patio Fireplaces	5 Buckets
36" - 39" New Age™ Fireplaces	4 Buckets
42" - 45" New Age™ Fireplaces	5 Buckets
48" - 51" New Age™ Fireplaces	6 Buckets
60" - 63" New Age™ Fireplaces	7 Buckets

72" - 75" New Age™ Fireplaces	8 Buckets
Fire Pits - All Models	1 Bucket
Vecchio™ & Mezzo™ Ovens	1 Bucket
Amerigo™ & Brick Ovens	2 Buckets
Big Pig™ & Little Pig™ Smokers	6 Buckets

Chimney Sections - 8 to 9 sections per Bucket

Veneer Coverage - Amount of coverage will typically range between 15 and 30 square feet, depending upon material used, application technique and joint size.

All finishing specifications are approximate, and do not include waste.

Pad/Footing Specifications for Fireplaces (Minimum Sizes for Standard Height Applications)

Thin Finishes

Model	Thickness (A)	Depth (B)	Width (C)
SA24	4" - 6"	48"	40"
SA36	6" - 8"	48"	52"
SA48	8" - 10"	48"	64"
SA24-ST	4" - 6"	56"	40"
SA36-ST	6" - 8"	56"	52"
SA48-ST	8" - 10"	56"	64"
24CN, PS	4" - 6"	39"	40"
36CN, PS	6" - 8"	39"	52"
48CN, PS	8" - 10"	39"	64"
NA39	6" - 8"	38"	54"
NA45	8" - 10"	38"	60"
NA51	8" - 10"	38"	66"
NA63	16" - 20"	38"	78"
NA75	16" - 20"	38"	90"

Full Depth Finishes

Model	Thickness (A)	Depth (B)	Width (C)
SA24	8" - 12"	54"	46"
SA36	12" - 18"	54"	58"
SA48	8" - 24"	54"	70"
SA24-ST	8" - 12"	62"	46"
SA36-ST	12" - 18"	62"	58"
SA48-ST	18" - 24"	62"	70"
24CN, PS	8" - 12"	45"	46"
36CN, PS	12" - 18"	45"	58"
48CN, PS	18" - 24"	45"	70"
NA39	12" - 18"	44"	60"
NA45	18" - 24"	44"	66"
NA51	18" - 24"	44"	72"
NA63	32" - 40"	44"	84"
NA75	32" - 40"	44"	96"

Note: A larger pad is required when adding a hearth to Contractor Series and New Age models, or taller chimney on all models.

Series	Stone Age Standard			New Age Outdoor				
Model	SA24	SA36	SA48	NA39	NA45	NA51	NA63	NA75
Weight	2200	2800	3300	2950	3180	3560	4580	5660
	Weight With Chimney							
Dimensions								
Outside Width (front)	34"	46"	58"	48"	54"	60"	72"	84"
Outside Width (rear)	34"	46"	58"	48"	54"	60"	72"	84"
Outside Depth	33"	33"	33"	30"	30"	30"	30"	30"
Firebox Opening Width, with Firebrick (front)	24"	36"	48"	39"	45"	51"	63"	75"
Firebox Width, with Firebrick (rear)	21"	32"	44"	31"	37"	43"	55"	67"
Firebox Depth, with Firebrick	28"	28"	28"	23"	23"	23"	23"	23"
Width at Box or Smoke Dome Top	19"	23"	23"	30"	38"	42"	54"	66"
Front Opening Height	22" Straight, 27" Arched			27"	27"	33 1/2"	41"	41"
(firebox floor to lintel, brick installed)				68"	68"	74"	80"	88"
Overall Height (Without Chimney)	7' 11"	7' 11"	8' 3"	7' 8"	7' 8"	8' 2"	8' 8"	9' 4"
Overall Height (With Chimney)								

Series	Contractor Series			Patio Series			Veranda
Model	SA-24CNSA	SA-36CNSA	SA-48CN	SA-24PS	SA-36PS	SA-48PS	SA-VER
Weight	1540	1760	2120	1100	1500	1900	1000
	Weight With Chimney			Weight With Chimney			
Dimensions							
Outside Width (front)	34"	46"	58"	34"	46"	58"	24"
Outside Width (rear)	34"	46"	58"	34"	46"	58"	24"
Outside Depth	33"	33"	33"	33"	33"	33"	27"
Firebox Opening Width, with Firebrick (front)	24"	36"	48"	24"	36"	48"	No Firebrick Required 18"
Firebox Width, with Firebrick (rear)	21"	32"	44"	21"	32"	44"	No Firebrick Required 16"
Firebox Depth, with Firebrick	28"	28"	28"	28"	28"	28"	21"
Width at Box or Smoke Dome Top	19"	23"	23"	19"	23"	23"	17 1/2"
Front Opening Height	22" Straight Lintel			22" Straight Lintel Only			12 1/4" Straight
(firebox floor to lintel, brick installed)	27" Arched Lintel						15 1/4" Arched
Overall Height (Without Chimney)	5' 6"	5' 6"	6' 0"	42"	42"	46"	40 1/2"
Overall Height (With Chimney)	5' 11"	5' 11"	6' 3"	54"	54"	58"	71"

Series	New Age Indoor Fireplace					New Age Vent Free	
Model	NA36	NA42	NA48	NA60	NA72	NA36VF	NA42VF
Weight	2300	2500	2860	3900	4900	1500	1725
	Weight Without Chimney						
Dimensions							
Inside Dimensions With Firebrick							
Outside Width (front)	48"	54"	60"	72"	84"	48"	54"
Outside Width (rear)	48"	54"	60"	72"	84"	48"	54"
Outside Depth	30"	30"	30"	30"	30"	30"	30"
Firebox Opening Width (front)	36"	42"	48"	60"	72"	36"	42"
Firebox Width (rear)	28"	34"	40"	52"	64"	28"	34"
Firebox Depth	20"	20"	20"	20"	20"	20"	20"
Width at Box or Smoke Dome Top	30"	38"	42"	54"	66"		
Front Opening Height	25 1/2"					25 1/2"	25 1/2"
(firebox floor to lintel, brick installed)	66 1/2"					34"	34"
Overall Height (Without Chimney)	Varies Per Installation						
Overall Height (With Chimney)							

Stone Age Manufacturing, Inc. proudly offers an industry-leading 25 year limited warranty on all UL-127 fireplaces.

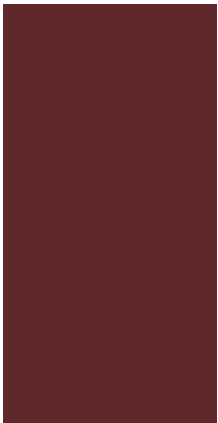
LIMITED WARRANTY

The products of Stone Age Manufacturing, Inc. ("Stone Age") have been carefully manufactured and the components assembled to give the customer a quality product. Stone Age warrants to the original purchaser the materials that it provides to the customer against defects in manufacture for a period of twenty-five (25) years from the date of purchase on UL-127 listed fireplaces, for a period of five (5) years from the date of purchase on all unlisted fireplaces, fire pits, and other masonry components. Other accessory items or components offered, but not produced by Stone Age Manufacturing, Inc., shall be covered by their manufacturer's warranties. This Limited Warranty covers only actual manufacturing defects in the Stone Age product and does not cover defects or faulty workmanship in the installation of the product or the masonry or other structure in which it is installed. Also this warranty does not cover items that have been damaged due to over-heating, modification, improper storage or maintenance. Stone Age shall repair or replace, at its option, any defective Stone Age product component upon receipt of written notice addressed to Stone Age. This Limited Warranty covers only replacement of any defective components within the product itself occurring during the warranty period and does not cover the cost of installation or removal from a fixed location. NO OTHER WARRANTIES, EXPRESS OR IMPLIED, ARE MADE, INCLUDING IMPLIED WARRANTIES OF MERCHANTABILITY AND FITNESS FOR PARTICULAR PURPOSES WHICH ARE SPECIFICALLY DISCLAIMED. Stone Age is not liable for damages or injury to persons or property or other incidental or consequential damages.

Catalog Revision Date: 2014-01

©2010-2013, Stone Age Manufacturing, Inc., All Rights Reserved.

The entire contents of this document are exclusively for the use of authorized Stone Age dealers and distributors, and may not be reprinted or reproduced in any way without the express written permission of Stone Age Manufacturing, Inc.



www.SemcoStone.com

OUR LOCATIONS

CORPORATE OFFICE

(800) 814-1072
50 Robinson Industrial Dr.
Perryville, MO 63775
info@semcostone.com

CINCINNATI, OHIO

(513) 725-0070
11864 Chesterdale Road
Cincinnati, OH 45246
infoOH@semcostone.com

COLUMBUS, OHIO

(614) 861-4668
6015 Taylor Road
Columbus, OH 43230
infoOH@semcostone.com

KANSAS CITY, MO

(816) 318-1203
2515 Semco Drive
Belton, MO 64012
infoKC@semcostone.com